

## FEED AND POWER HAND PUMP MODEL : HP5012ST / HP5016ST SERIES

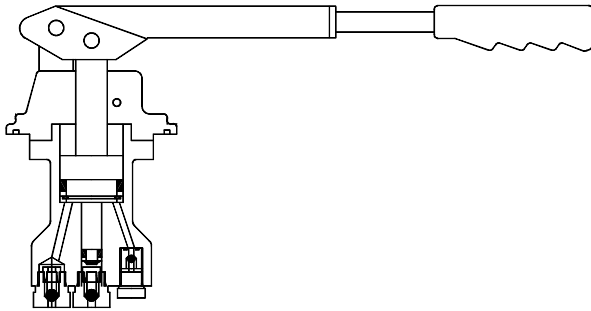
### Description

Automatic change-over from high discharge at low pressure to low discharge at high pressure. Heavy duty construction with hardened and ground piston. Renewable Suction, Delivery, Relief, and Release valve parts. Integral Relief and Release valves. Collapsible Hand Lever for compact size and short hand movement at low pressure.

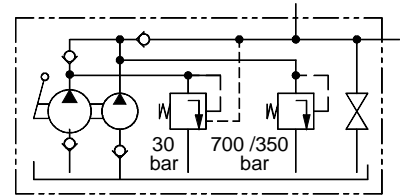


### Section

( Pump cartridge )



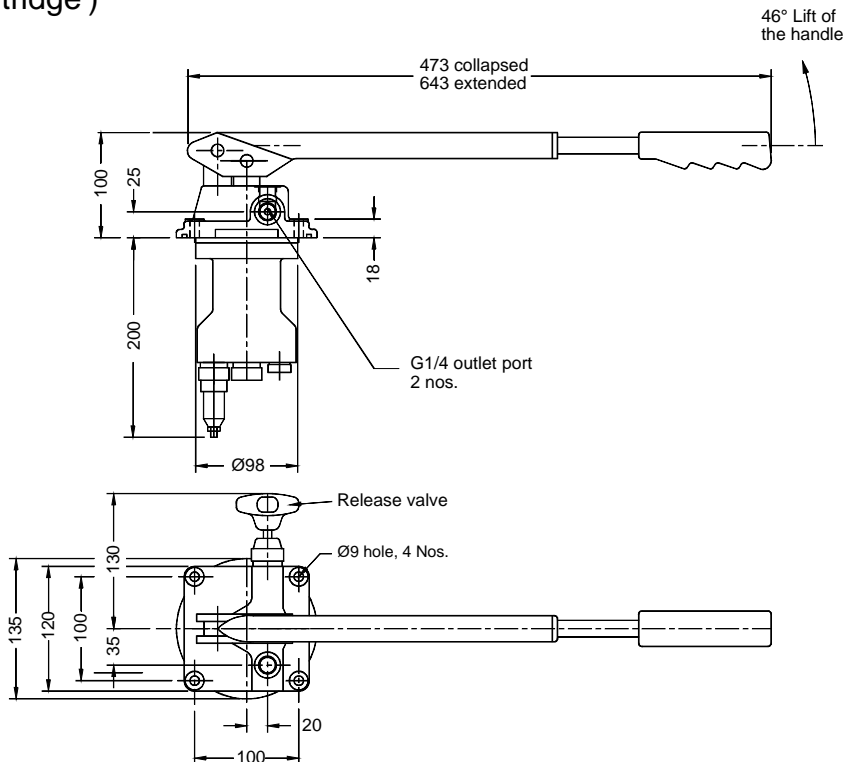
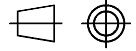
### Hydraulic Symbol



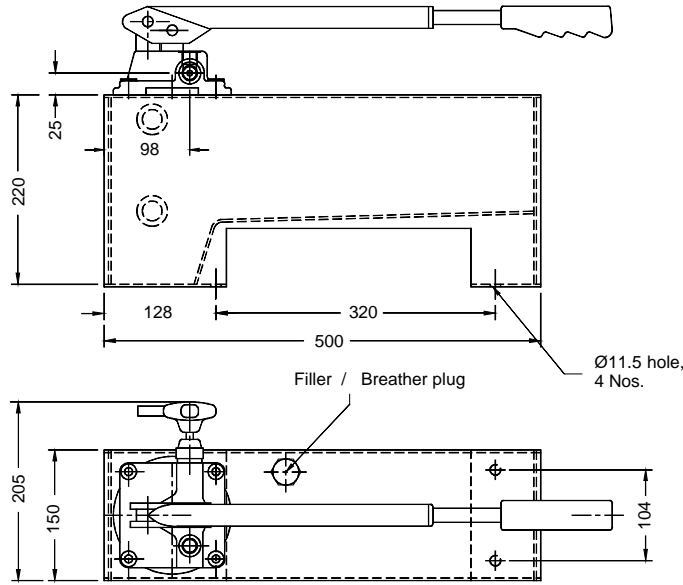
### Unit Dimensions

( Pump cartridge )

Dimensions in mm.



## FEED AND POWER HAND PUMP MODEL : HP5012ST / HP5016ST SERIES



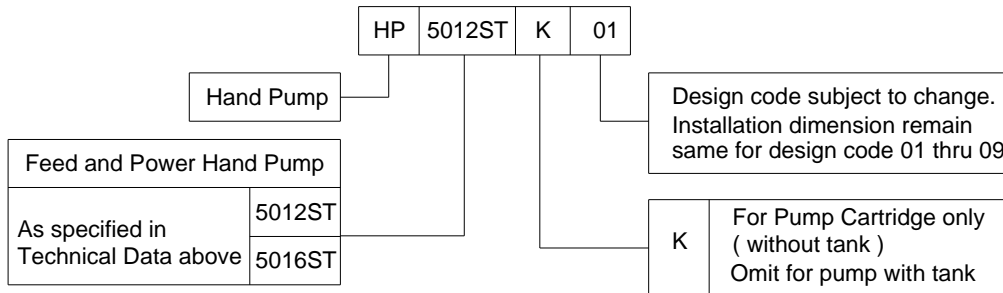
### Technical Specifications

Construction ..... Differential piston with single hand lever  
 Hydraulic Medium ..... Mineral oil ( ISO VG 46)  
 Max.working pressure ..... HP 5012ST ..... 700 bar  
 HP 5016ST ..... 350 bar  
 Flow capacity .....

Model	Flow per stroke cm <sup>3</sup>	
	Up to 30 bar	Above 30 bar
HP 5012ST	49	2.8
HP 5016ST	49	5

Oil tank capacity ..... 7 Ltrs.  
 Oil tank displacement ..... 5 Ltrs.  
 Force required at the end of  
 the hand lever at Max.pressure ..... 400 N approx.  
 Mass ..... Pump cartridge only ..... 11 kg  
 Pump with oil tank ( Without oil ) .... 18 kg

### Ordering Code



All rights reserved  
 Subject to revision

PRISM HYDRAULICS PVT. LTD.  
 B-23 Angol Ind. Estate  
 Udyambag,  
 Belgaum - 590 008, INDIA.

Phone :- +91-(0831)-4202340  
 Fax :- +91-(0831)-2443448  
 E-mail :- prismhydraulics@gmail.com