

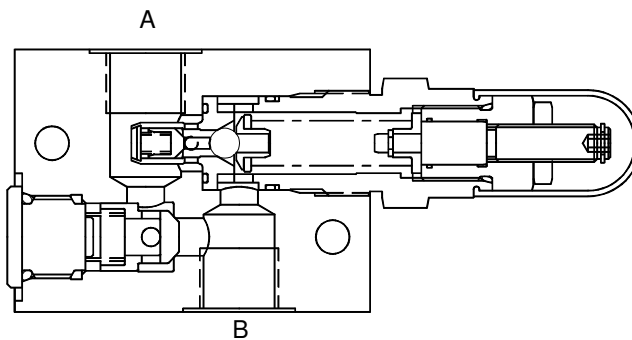
## COUNTER BALANCE VALVE MODEL : CBV

### Description

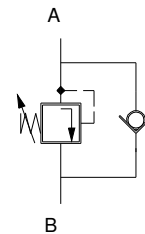
Counter balance valves are seat type valves. They offer free flow from their port B to port A and give leak free closure in opposite direction upto to a predetermined pressure. Predetermined cracking pressure can be adjusted within it's maximum specified range.



### Section

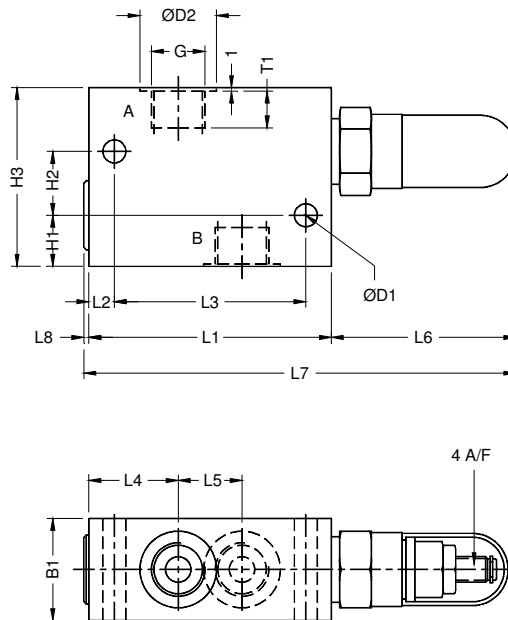


### Hydraulic Symbol



### Unit Dimensions

Dimensions in mm.



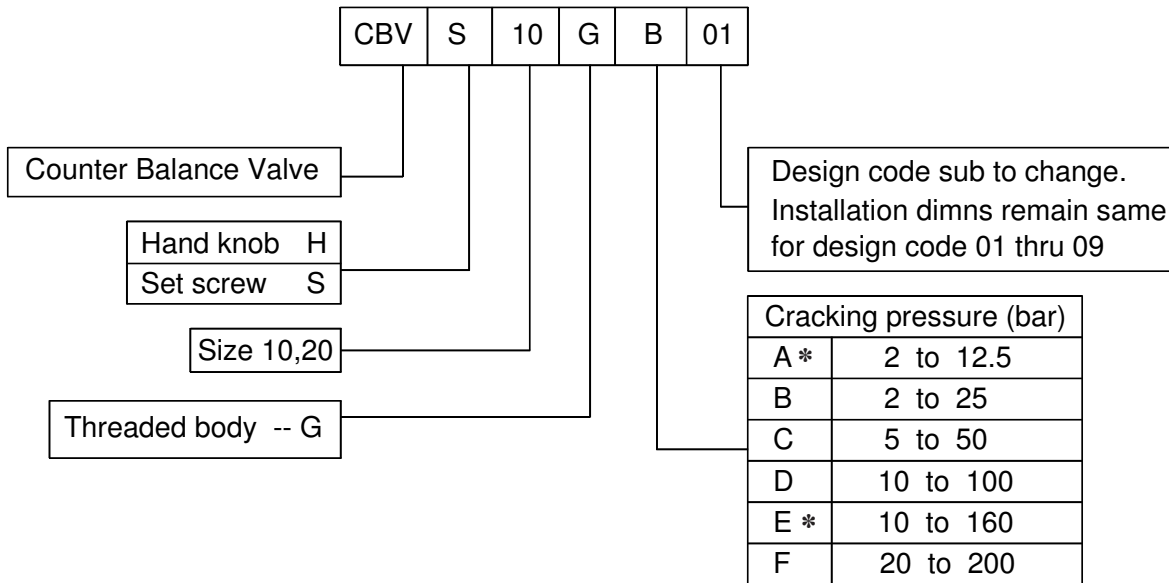
Size	L1	L2	L3	L4	L5	L6	L7	L8	H1	H2	H3	B1	G	ØD1	ØD2	T1	Mass kg
10	95	10	75	35	25	66	164	3	20	25	70	40	G1/2	9	30	17	1.95
20	140	10	110	40	45	79	223	4	25	50	100	60	G1	11	44	19	6

## COUNTER BALANCE VALVE      MODEL : CBV

### Technical Specifications.

Construction .....	Direct acting, seat type.
Mounting type .....	Threaded port body.
Mounting position .....	Optional.
Direction of flow .....	From port A to B
Nominal flow handling capacity .....	Size 10 ... 30 l / min. Size 20 ... 50 l / min.
Operating pressure (bar) .....	315.
Cracking pressure .....	Refer ordering code
Hydraulic medium .....	Mineral oil.
Viscosity range .....	10 cSt to 380 cSt.
Fluid temperature range .....	-20 °c to +70 °c.
Fluid cleanliness requirement .....	As per ISO 16 / 13 or better.
Mass .....	Ref table.

### Ordering Code



Note :- \* Not available for size20

All rights reserved  
subject to revision.