

ROTARY DIRECTIONAL CONTROL VALVE MODEL : RDL

Description

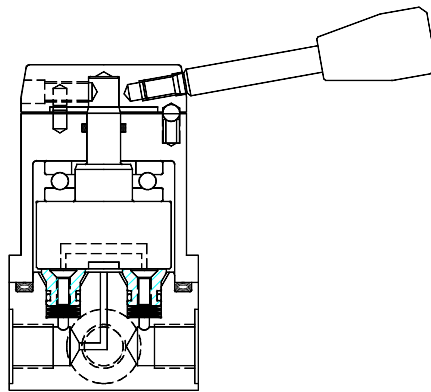
A lever operated rotary type directional control valve is generally used for high pressure applications.

It works on shear seal principle which gives good sealing and zero leakage.

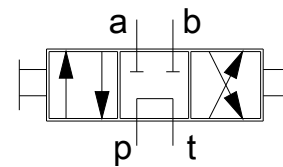
These valves are used where leak free closure is required.



Section



Hydraulic Symbol

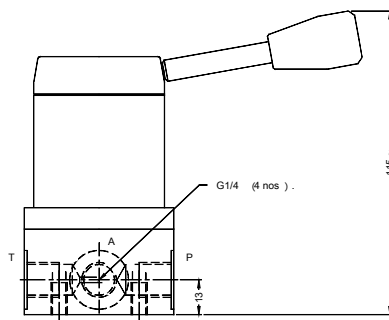


3 position detented

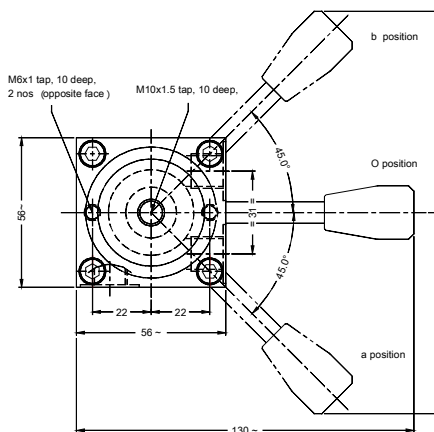
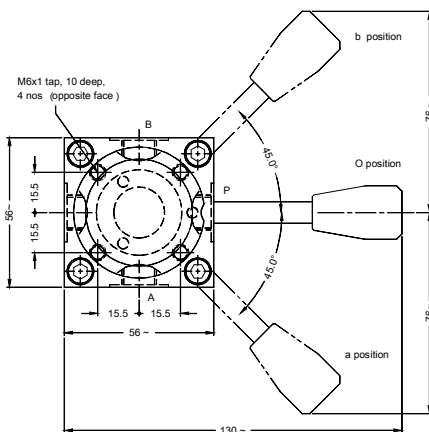
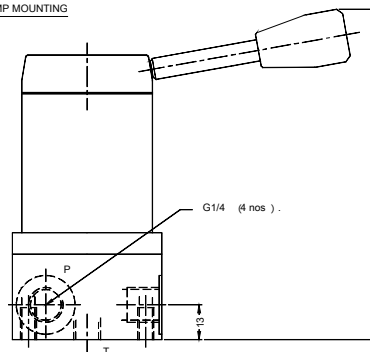
Unit Dimensions

Dimensions in mm.

THREADED TYPE

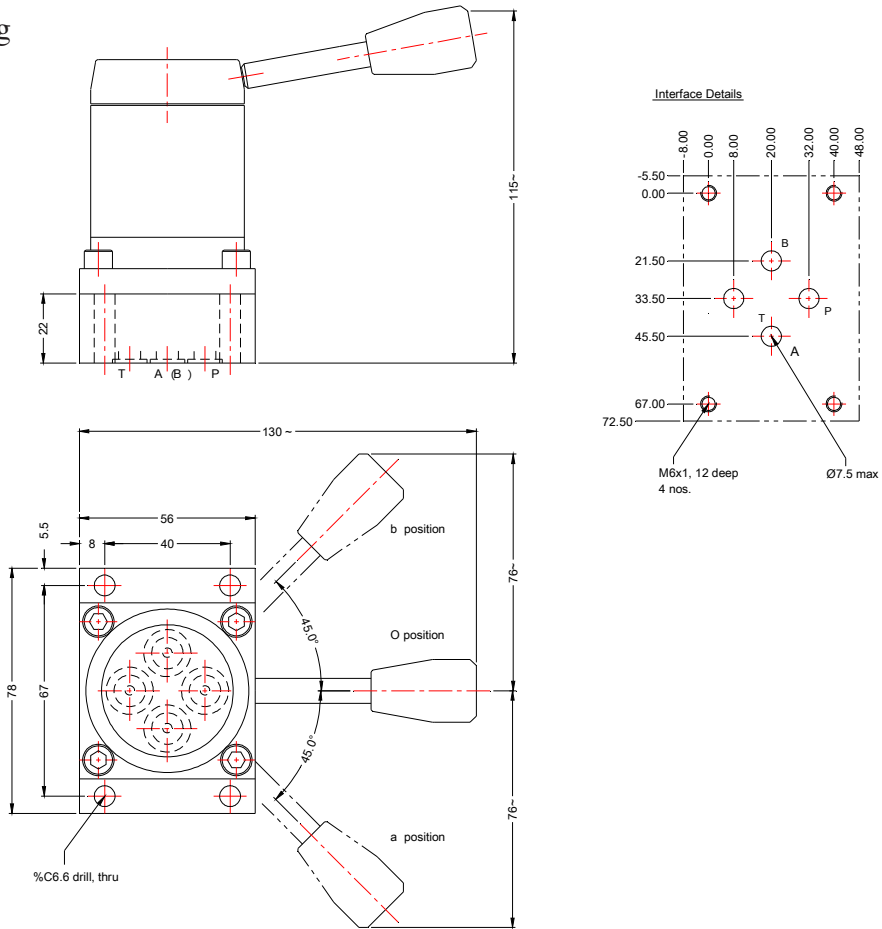


HAND PUMP MOUNTING

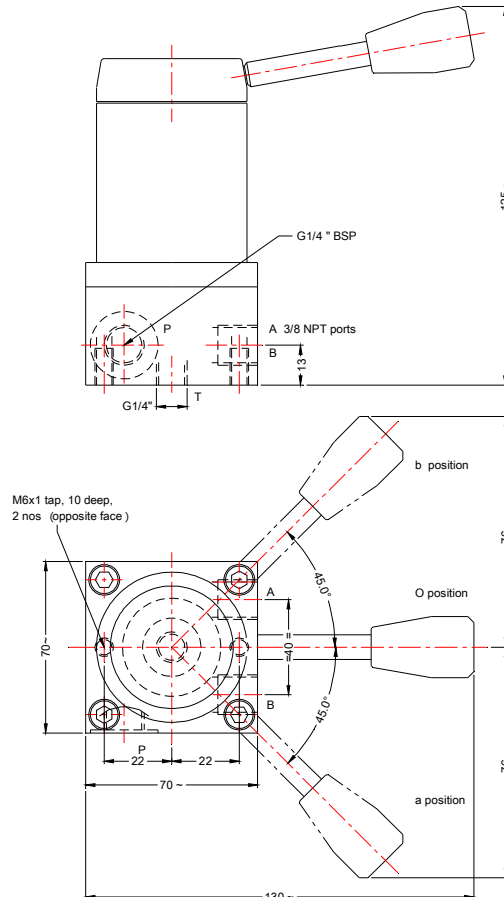


ROTARY DIRECTIONAL CONTROL VALVE MODEL : RDL

Subplate mounting



Hand pump mounting with
outgoing NPT ports



ROTARY DIRECTIONAL CONTROL VALVE MODEL : RDL

Technical Specifications

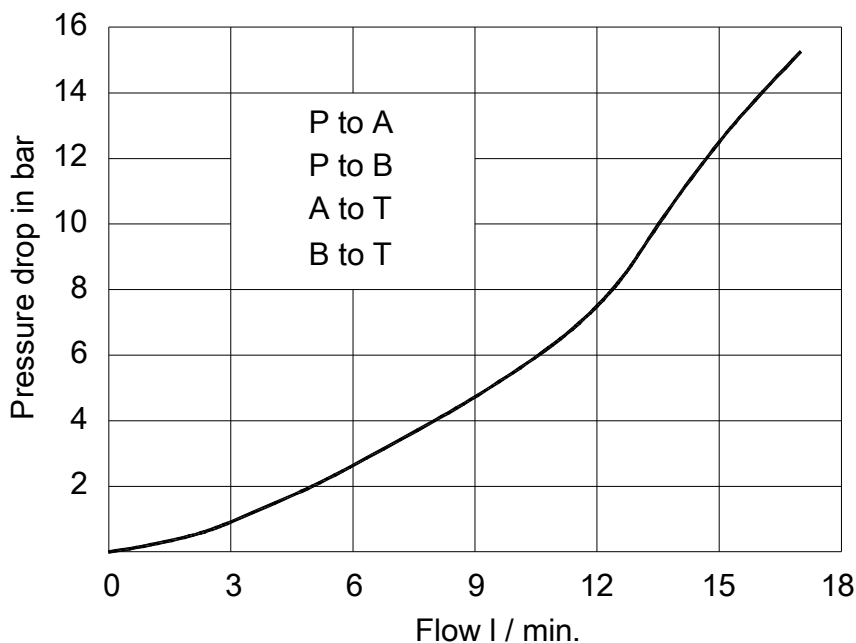
Construction Rotary Disc type
 Mounting type Threaded, subplate type & Hand pump mounting
 Mounting position Optional
 Flow direction As per the symbol
 Operating pressure

Port	P (bar)	A (bar)	B (bar)	T (bar)
Continuous	700	700	700	110
Intermittent	1000	1000	1000	max

Hydraulic medium Mineral oil
 Viscosity range 10 cSt to 380 cSt
 Fluid temperature range -20 to 70 degree celcius.
 Fluid cleanliness requirement As per ISO code 16/13 or better.
 Flow handling capacity Refer graph blow
 Mass..... 1.6 kg Approx.

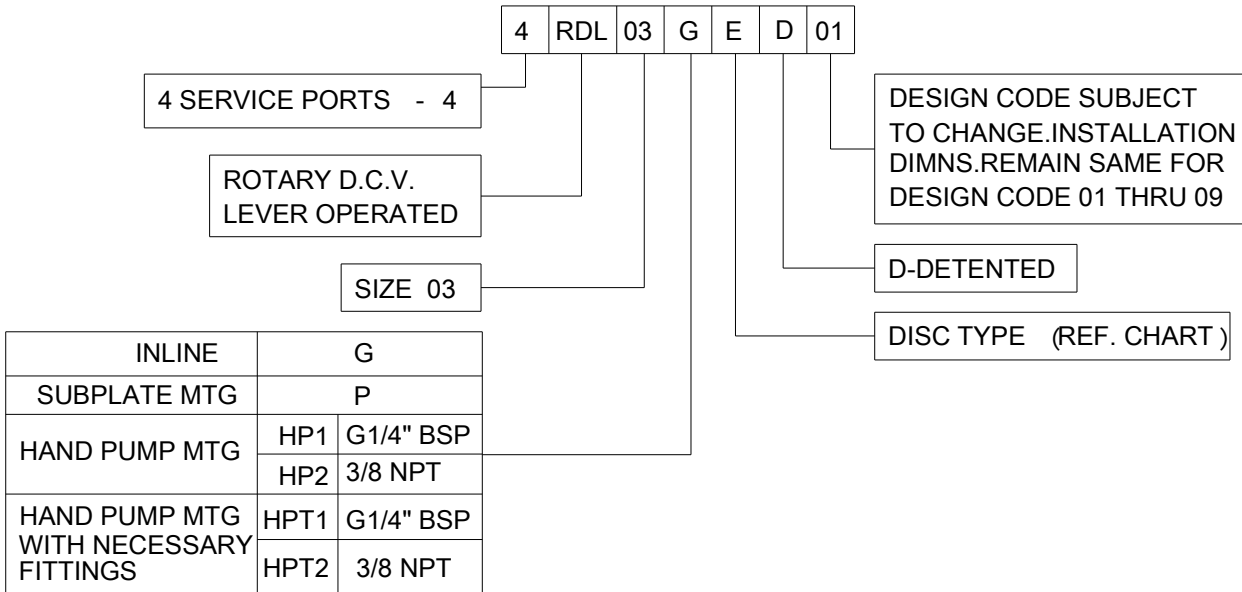
Performance Curve

Oil used :- ISO VG 46 : 46cSt @ 40° C,temp @ test : 40°C



ROTARY DIRECTIONAL CONTROL VALVE MODEL : RDL

Ordering code



SPOOL CHART

TYPE	SYMBOL	CROSSOVER
E		
G		
H		

All rights reserved
subject to revision.