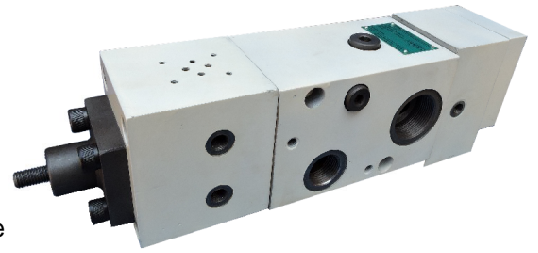


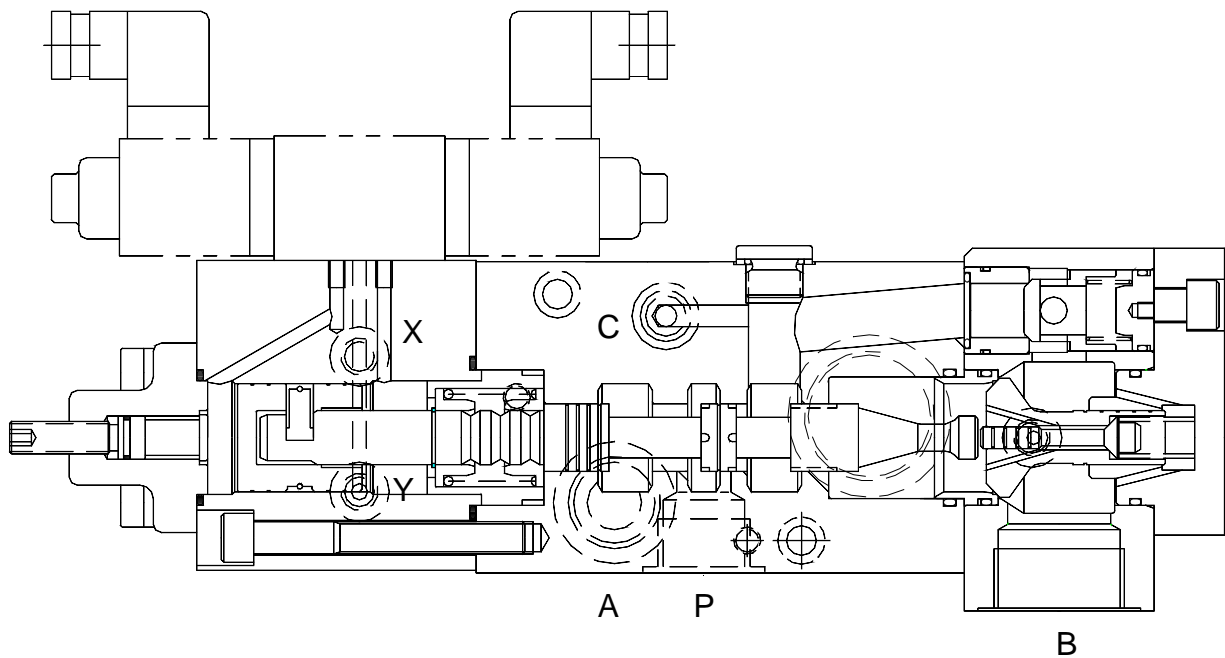
## SOLENOID OPERATED DIRECTIONAL CONTROL VALVE MODEL : 4DEH

### Description

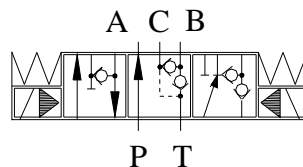
For single acting cylinders which are supposed to hold pressures. Ensures smooth decompression prior to return of the cylinder ram. Large return oil passages to reduce pressure drops, allowing rams to return under low external forces. Valves with Quick Exhaust feature have 2.34 times larger return passages. They are meant for rams having either very low retractive forces or must return rapidly under normal forces. Valves can be connected in series for independent multiple single acting cylinder operations.



### Section



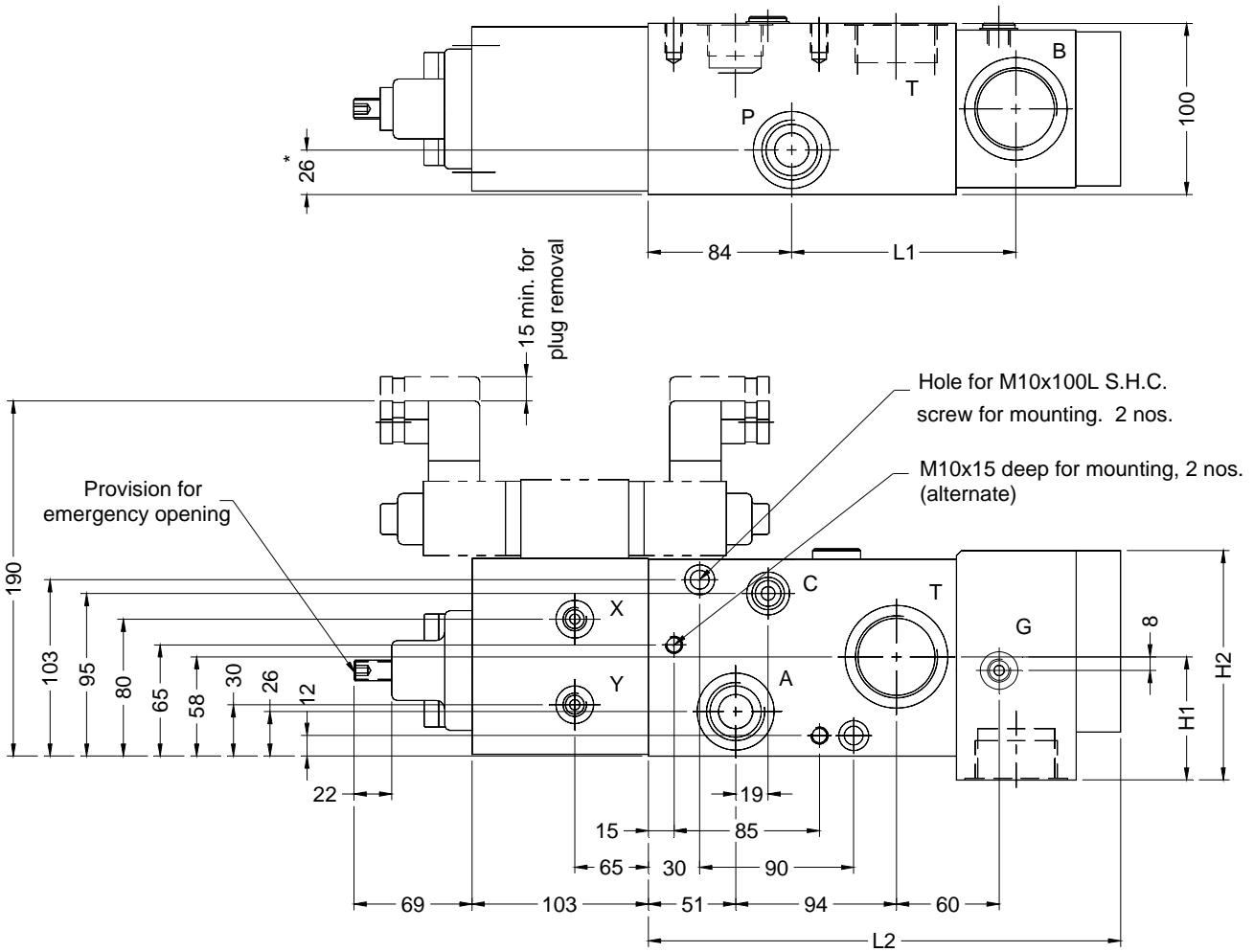
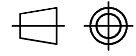
Hydraulic Symbol



SOLENOID OPERATED DIRECTIONAL CONTROL VALVE MODEL : 4DEH

Unit Dimensions

Dimensions in mm.



Valve type	Model	H1	H2	L1	L2	Port Details					
						A	B	C	G	P	T
Standard	4DEH20A	59	121	126	264		G1-1/4				
With quick exhaust feature	4DEH20B	72	134	131	276	G1	G1-1/2	G3/8	G1/4	G1	G1-1/2

Note:- Valve with 'Mirror image' face option will have ports A, C, T, X, Y and G on opposite face and dimension 26 (marked \*) of port P will be 74

## SOLENOID OPERATED DIRECTIONAL CONTROL VALVE MODEL : 4DEH

### Technical Specification

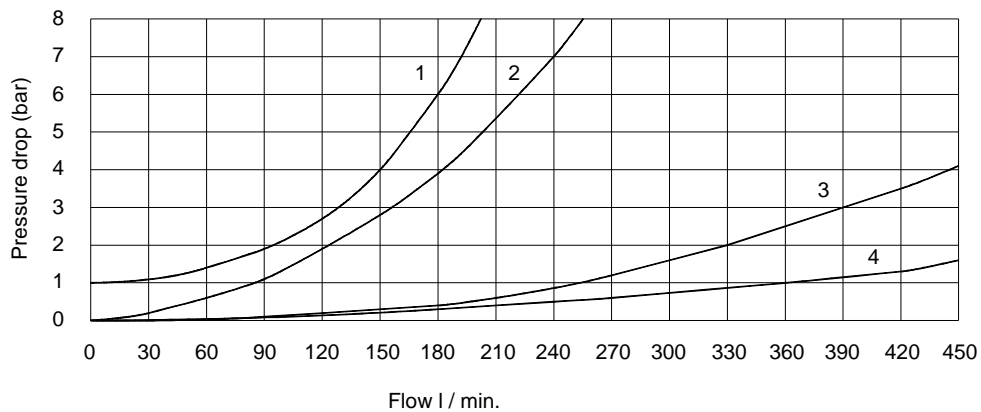
Construction ..... Spool and poppet type  
 Mounting type ..... Threaded body.  
 Mounting position ..... Optional ( Spool axis horizontal preferred )  
 Flow direction ..... Refer hydraulic symbol  
 Flow passage area .....  
 (Nominal)

Valve	Model	P to A	B to T
		P to B	
Standard	4DEH20A	3.1 cm <sup>2</sup>	5.3 cm <sup>2</sup>
With quick exhaust feature	4DEH20B	3.1 cm <sup>2</sup>	12.4 cm <sup>2</sup>

Operating pressure ..... For ports P, A, B, C & G ..... 350 bar  
 For port T ..... 7 bar max.  
 Pilot pressure ..... 35 bar  
 Hydraulic medium ..... Mineral oil  
 Viscosity range ..... 10 to 380 cSt  
 Temperature range ..... -20 °c to + 70 °c  
 Fluid cleanliness requirement ..... As per ISO 16/13  
 Nominal flow handling capacity ..... Refer graph.  
 Mass ..... 4DEH20A ..... 23.5 kg  
 4DEH20B ..... 25.2 kg.

### Performance curves

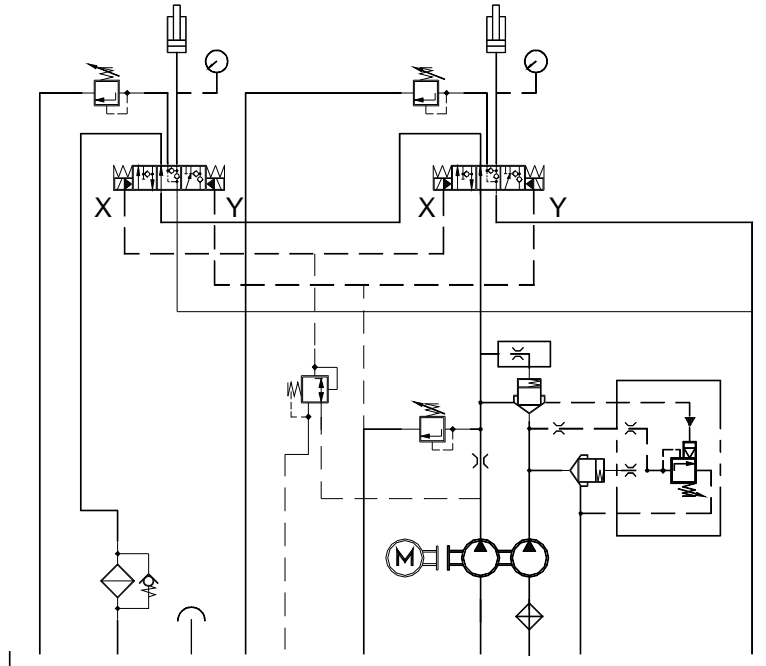
සම්පූර්ණයෙන්ම ප්‍රසාරණය @ ෧.෨ ඒම්.පී.



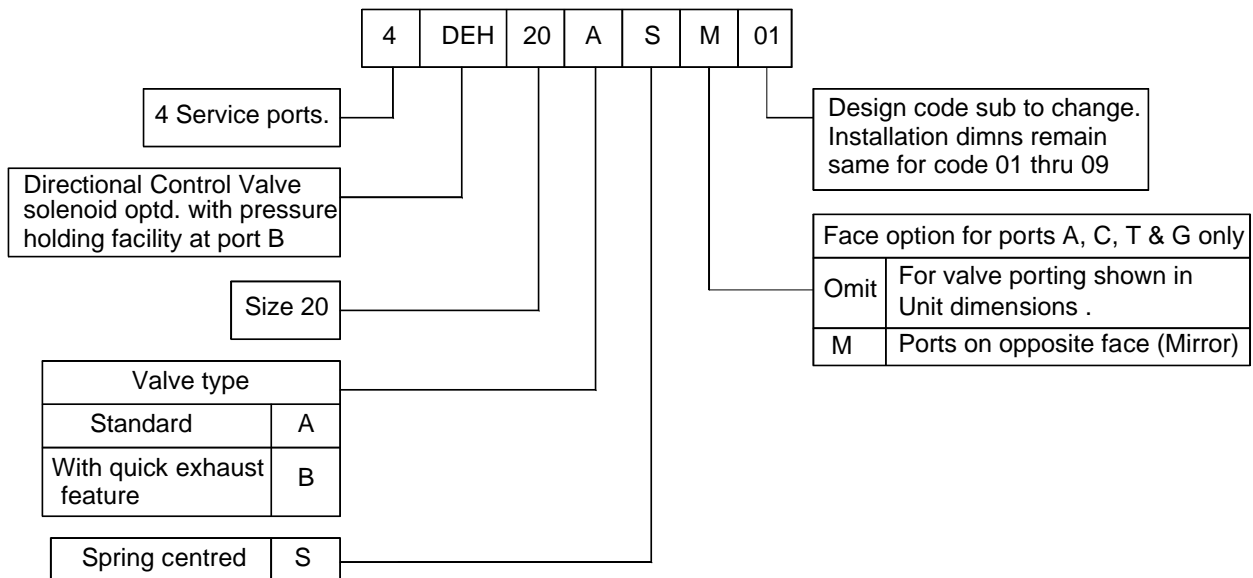
Flow from port	4DEH20A	4DEH20B
P to A	2	2
P to B	1	1
B to T	3	4

## SOLENOID OPERATED DIRECTIONAL CONTROL VALVE MODEL : 4DEH

Hydraulic circuit showing typical application of valves



### Ordering code



All rights reserved  
subject to revision.