

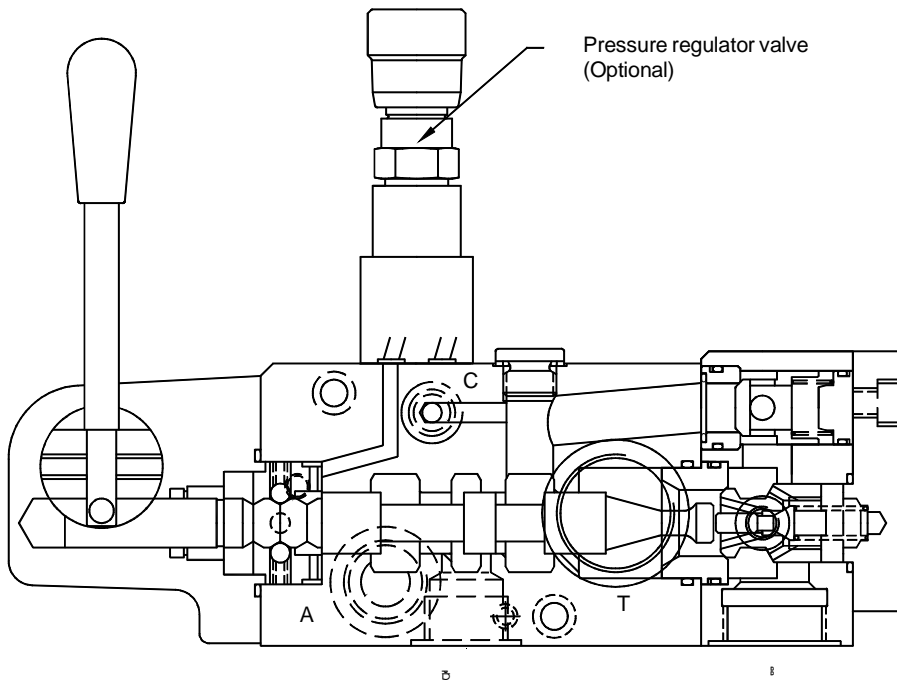
## LEVER OPERATED DIRECTIONAL CONTROL VALVE MODEL : 4DCLH

### Description

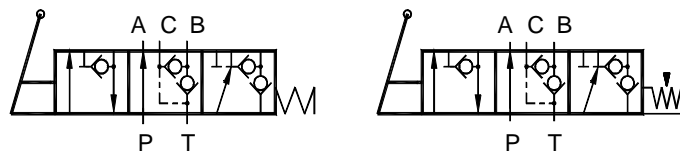
Designed for single acting cylinders which are supposed to hold pressures.  
Ensures smooth decompression prior to return of the cylinder ram.  
Large return oil passages to reduce pressure drops, allowing rams to return under low external forces.  
Valves with Quick Exhaust feature have 2.34 times larger return passages. They are meant for rams having either very low retractive forces or must return rapidly under normal forces.  
Valves can be connected in series for independent multiple single acting cylinder operations.



### Section



### Hydraulic Symbol



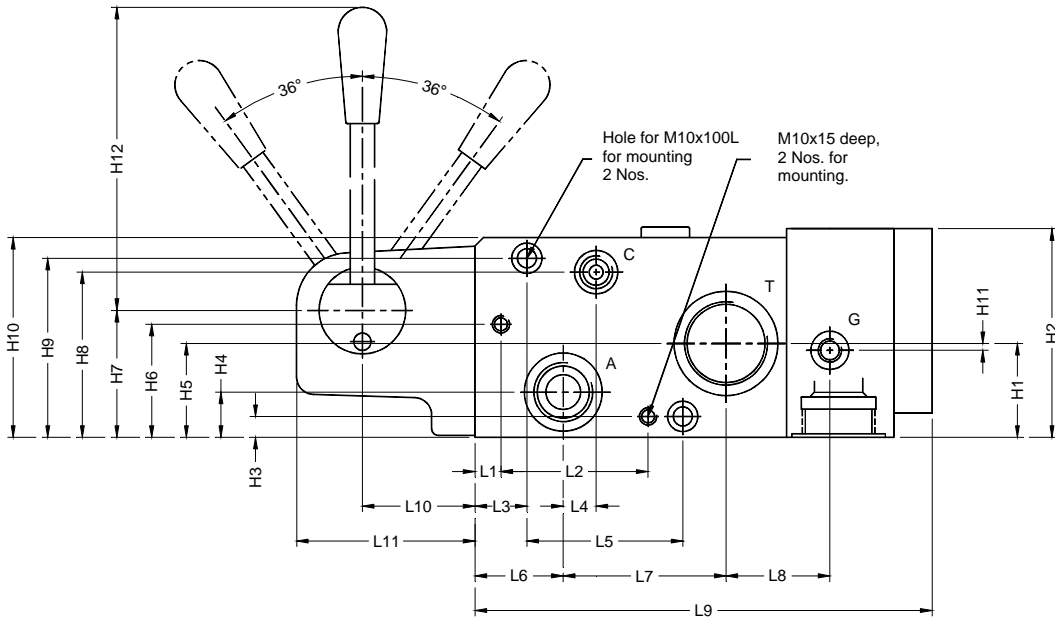
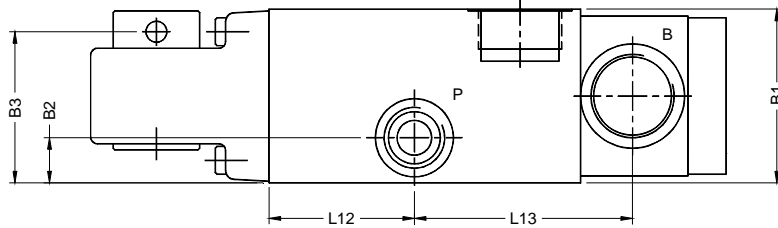
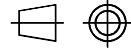
Model with spring centred spool

Model with detented spool

## LEVER OPERATED DIRECTIONAL CONTROL VALVE MODEL : 4DCLH

Unit Dimensions

Dimensions in mm.



Size	Type	Model	L1	L2	L3	L4	L5	L6	L7	L8	L9	L10	L11	L12	L13
10	Standard	4DCLH10A	25.3	46.5	13	-	73	43.3	49.7	44.5	180	40.6	68	58	79.5
20	Standard	4DCLH20A	15	85	30	19	90	51	94	60	264	65	103	84	126
20	Quick Exhaust	4DCLH20B	15	85	30	19	90	51	94	60	276	65	103	84	131

Size	Type	Model	H1	H2	H3	H4	H5	H6	H7	H8	H9	H10	H11	H12
10	Standard	4DCLH10A	36.5	78.5	9	19	37	68.5	50	61	59	78.5	2.5	160
20	Standard	4DCLH20A	59	121	12	26	58	65	73	95	103	115	8	322
20	Quick Exhaust	4DCLH20B	72	134	12	26	58	65	73	95	103	115	8	322

Size	Type	Model	Port Details								
			B1	B2	B3	A	B	C	G	P	T
10	Standard	4DCLH10A	70	28.5*	62.25	G3/8	G3/4	G1/4	G1/4	G3/8	G3/4
20	Standard	4DCLH20A	100	26*	87	G1	G1-1/4	G3/8	G1/4	G1	G1-1/2
20	Quick Exhaust	4DCLH20B	100	26*	87	G1	G1-1/2	G3/8	G1/4	G1	G1-1/2

Note:- Valve with mirror image face option will have port A, C, T & G on opp. face.  
Dimensions marked \* viz 28.5 & 26 will be 50 \* 74 respectively.

## LEVER OPERATED DIRECTIONAL CONTROL VALVE MODEL : 4DCLH

### Technical Specification

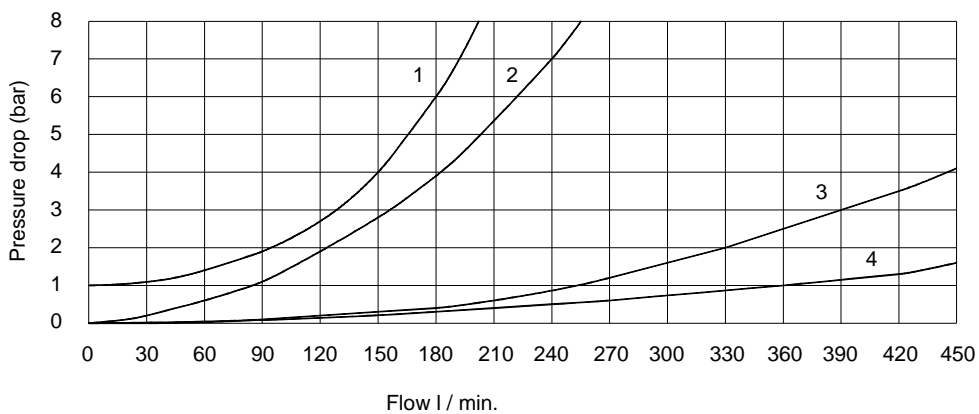
Construction ..... Spool and poppet type  
 Mounting type ..... Threaded body.  
 Mounting position ..... Optional ( Spool axis horizontal preferred )  
 Flow direction ..... Refer hydraulic symbol  
 Flow passage area .....

Valve	Model	P to A to B (Sq.cms)	P B to T cms	Sq.
Standard	4DLH10A	1.21	2.28	
Standard	4DLH20A	3.1	5.3	
With Quick Exhaust feature	4DLH20B	3.1	12.4	

Operating pressure ..... For ports P, A, B, C & G ..... 350 bar  
 For port T ..... 7 bar max.  
 Hydraulic medium ..... Mineral oil  
 Viscosity range ..... 10 to 380 cSt  
 Temperature range ..... -20 °c to + 70 °c  
 Fluid cleanliness requirement ..... As per ISO 16/13 or better.  
 Nominal flow handling capacity ..... Refer graph.  
 Mass ..... 4DLH10A ..... 9.5 kg.  
 4DLH20A ..... 23.5 kg.  
 4DLH20B ..... 25.2 kg.

### Performance curves

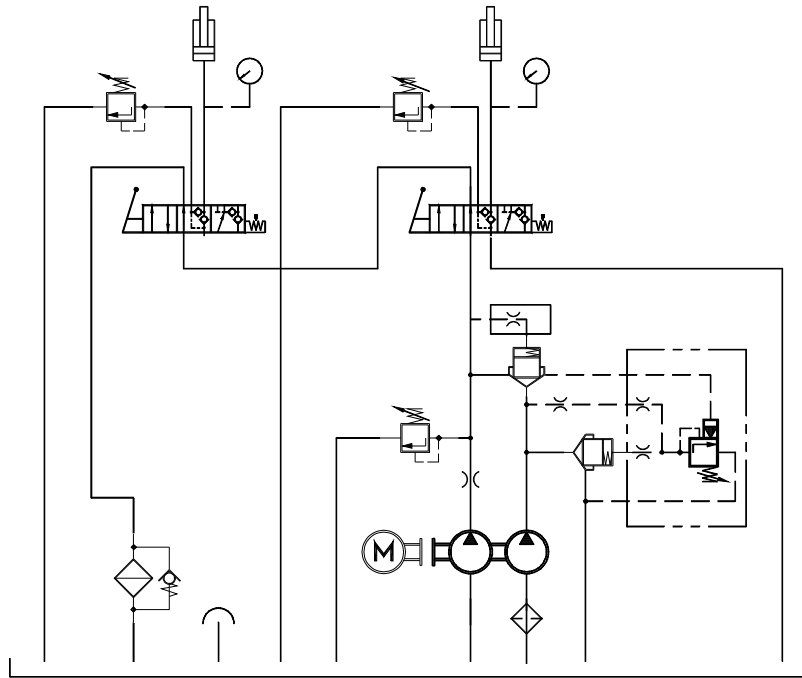
සිදුකිරීමේදී ප්‍රසාරණය @ 1.25 ලීටර්



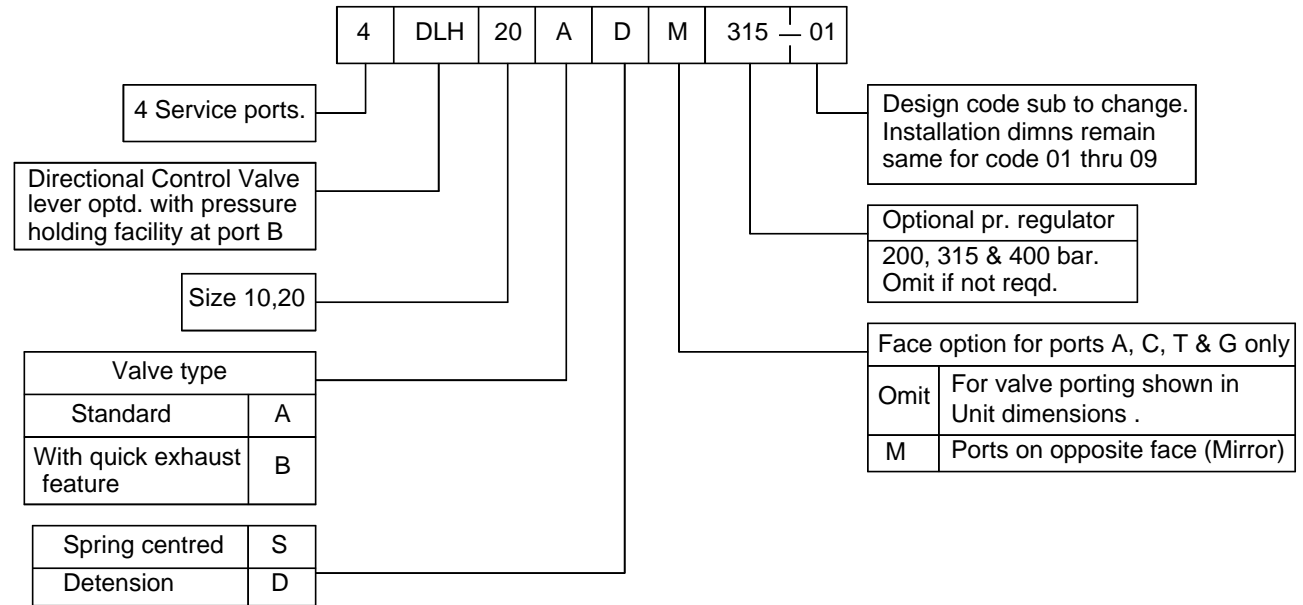
Flow	4DLH10A	4DLH20A	4DLH20B
P to A		2	2
P to B		1	1
B to T		3	4

## LEVER OPERATED DIRECTIONAL CONTROL VALVE MODEL : 4DCLH

Hydraulic circuit showing typical application of valves



### Ordering code



All rights reserved  
subject to revision.