

COVER WITH STROKE LIMITER

MODEL :-LCC*TSX

Description

These covers are designed to provide the facility to control the oil flow passing through the PRISM make cartridge valves fitted in the cavities machined as per ISO 7368

The oil passing through the valves can be controlled by controlling the opening of the poppet by means of stroke limiter screw provided in the cover. Throttling is effective in both directions.

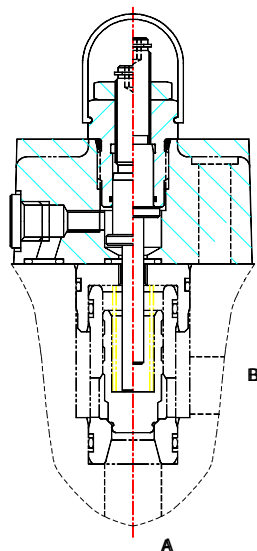
Clockwise rotation of Throttle screw decreases the flow while anticlockwise increases the flow.

Check nut is provided to lock the throttle screw in it's position.

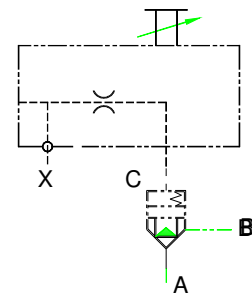
These stroke limiters are more effective with cartridges having poppets with cushion nose.



Section



Hydraulic Symbol



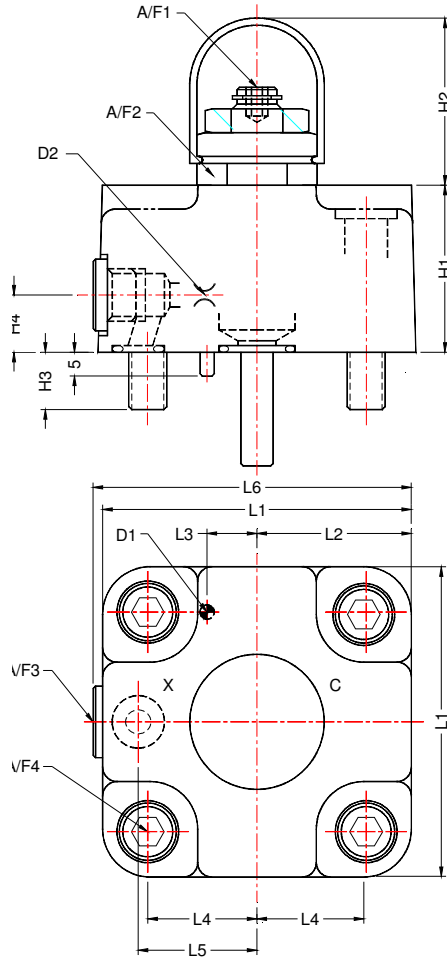
Technical Specifications

Mounting Interface	As per ISO 7368.
Hydraulic medium	Mineral oil
Temperature range	-20 to +80 degree celcius.
Viscosity range	10 cSt to 380 cSt
Fluid cleanliness requirement	As per ISO 4406 20 /18 /15 or better.

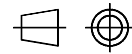
COVER WITH STROKE LIMITER

MODEL :LCC*TSX

Unit Dimensions

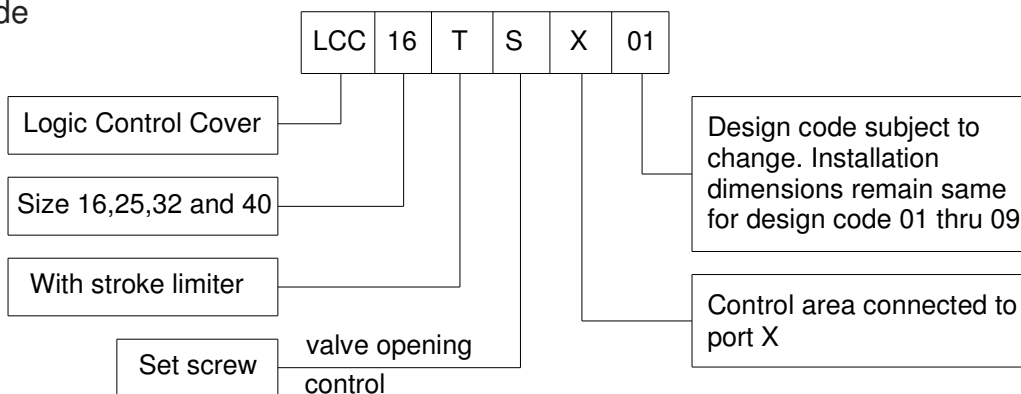


Dimensions in mm.



Size	Mass ks	L1	L2	L3	L4	L5	L6	D1	D2	H1	H2	H3	H4	A/F1	A/F2	A/F3	A/F4	Cover fixing screws (12.9)	Tightening torque
16	1.2	65	32.5	10.5	23	25	69	3	1	35	35	12	14.5	4	22	5	6	M8x40 L	39 Nm
25	2.3	85	42.5	16	29	33	89	5	1	40	35	18	19	4	22	6	10	M12x45 L	135 Nm
32	4.2	102	51	17	35	41	106	5	1.2	50	47	24	20	8	27	6	14	M16x55 L	330 Nm
40	7.7	125	62.5	23	42.5	50	130	5	1.2	60	57	30	25	8	27	10	17	M20x70 L	650 Nm

Ordering Code



All rights reserved
subject to revision.

PRISM HYDRAULICS PVT. LTD.
B-23, Angol Indl. Estate,
Udyambag,
Belgaum - 590 008. INDIA.

Phone :- +91-(0831)-2443448
Fax :- +91-(0831)-4202340
E-mail :- prismhydraulics@gmail.com