

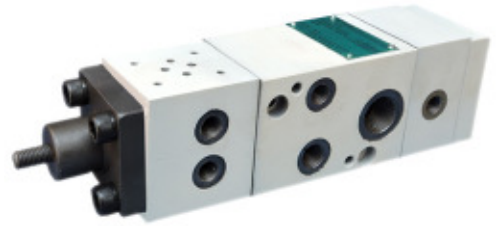
SOLENOID OPERATED DIRECTIONAL CONTROL VALVE MODEL : 4DEH

Description

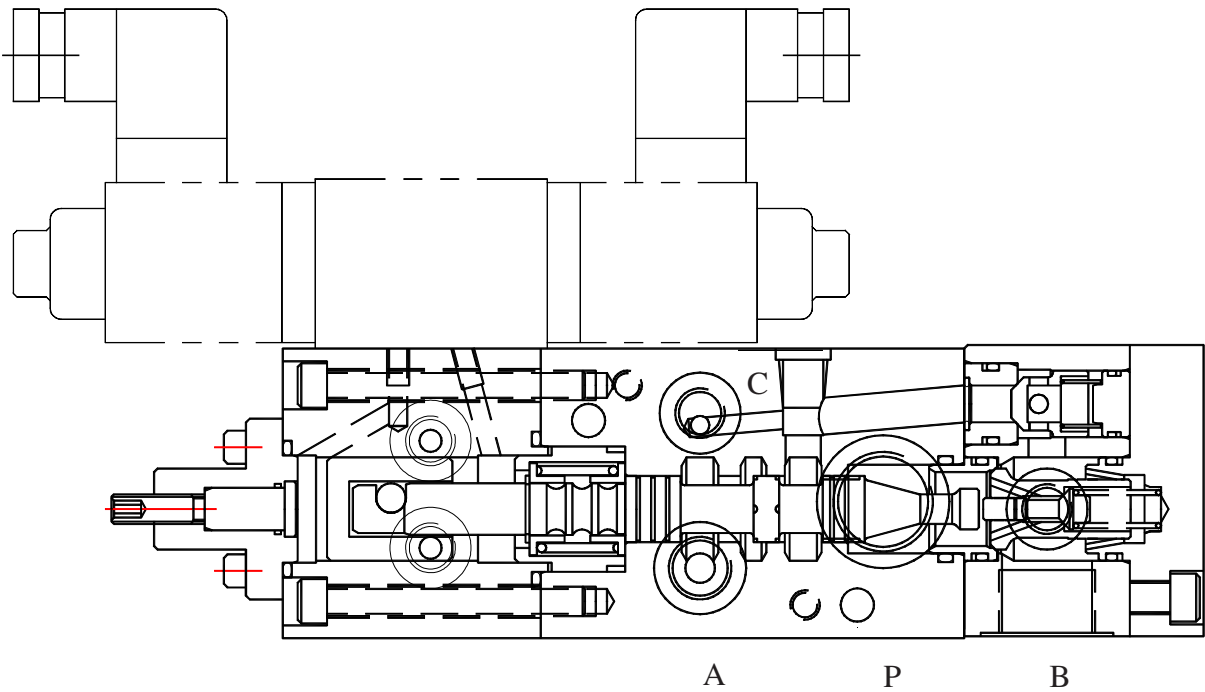
Designed for single acting cylinders which are supposed to hold pressures.

Ensures smooth decompression prior to return of the cylinder ram. Large return oil passages to reduce pressure drops, allowing rams to return under low external forces.

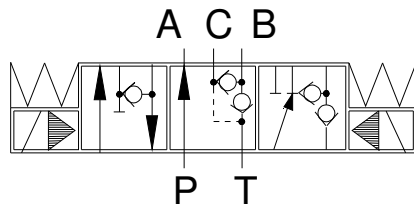
Valves can be connected in series for independent multiple single acting cylinder operations.



Section



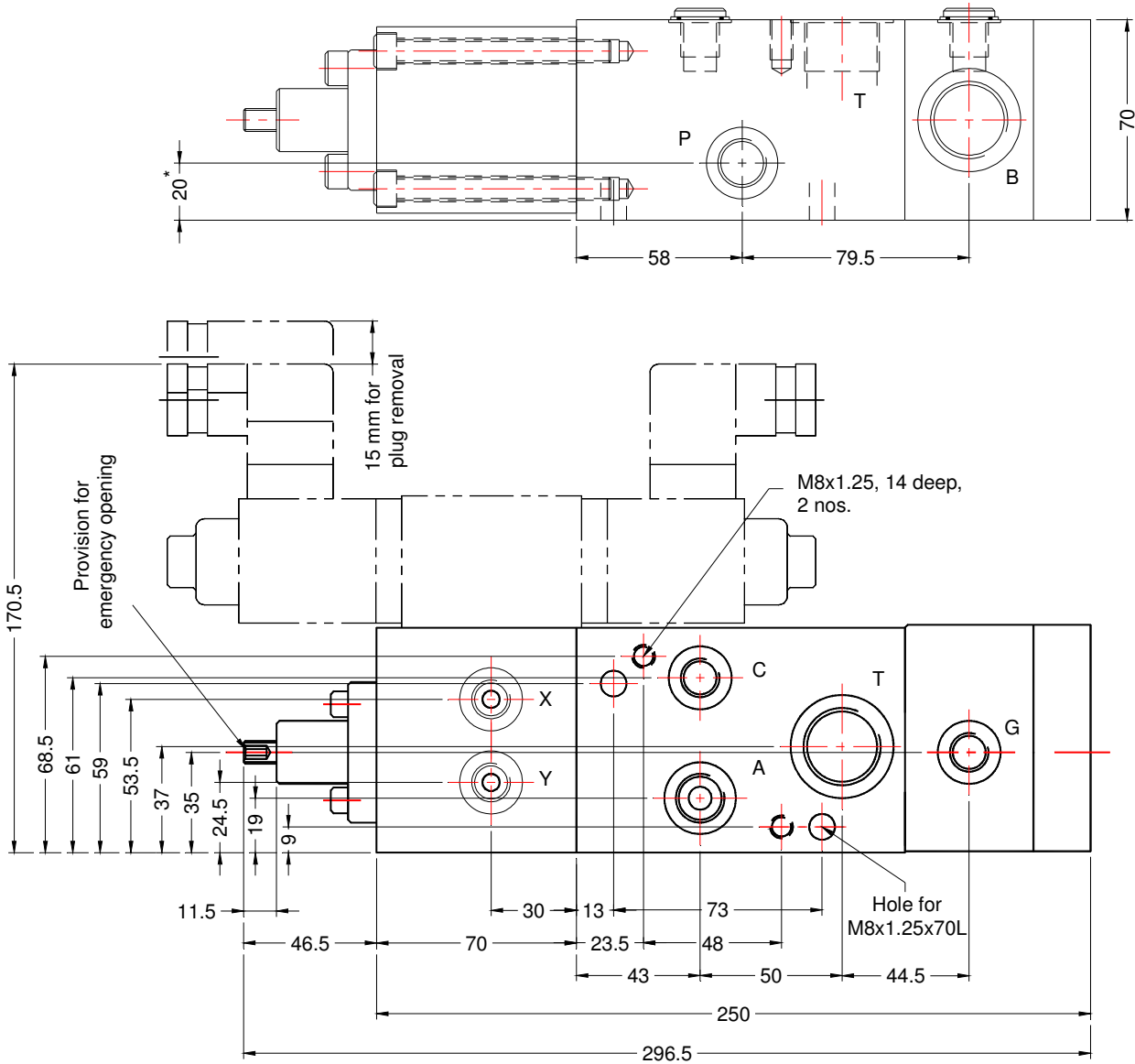
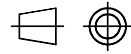
Hydraulic Symbol



SOLENOID OPERATED DIRECTIONAL CONTROL VALVE MODEL : 4DEH

Unit Dimensions

Dimensions in mm.



Model	Port details							
	A	B	C	G	P	T	X	Y
4DEH10	G3/8	G3/4	G1/4	G1/4	G3/8	G3/4	G1/4	G1/4

Note:- Valve with mirror image face option will have port A, C, T & G on opp. face.
Dimensions marked * viz 20 will be 50 mm

SOLENOID OPERATED DIRECTIONAL CONTROL VALVE MODEL : 4DEH

Technical Specification

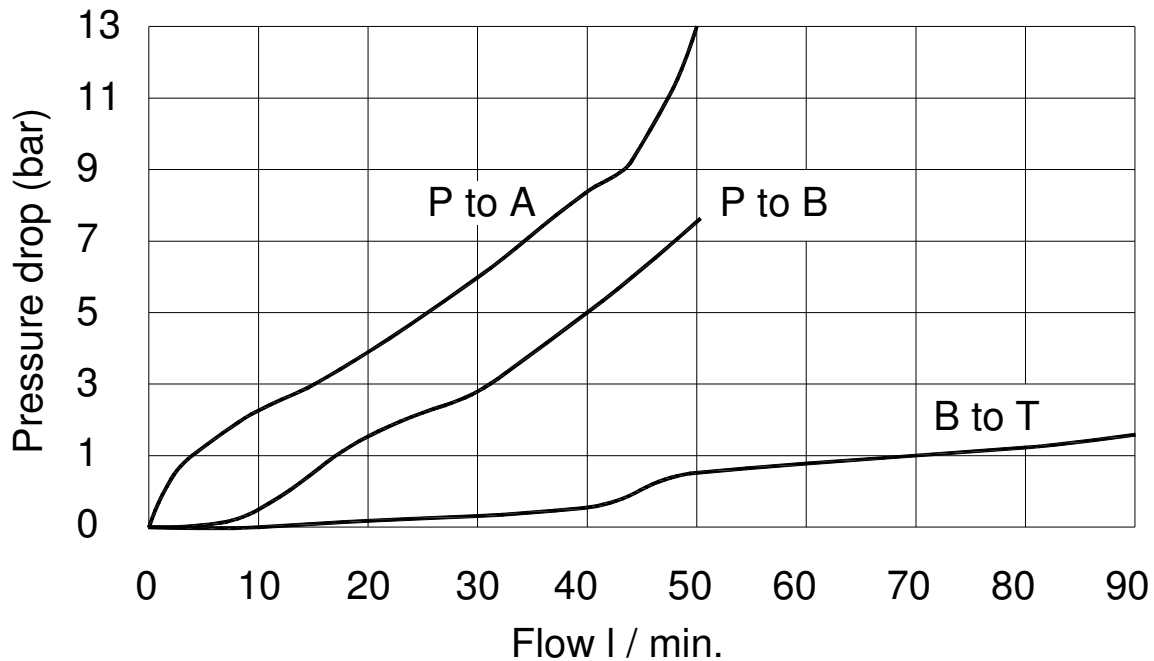
Construction Spool and poppet type
 Mounting type Threaded body.
 Mounting position Optional (Spool axis horizontal preferred)
 Flow direction Refer hydraulic symbol
 Flow passage area

Valve	Model	P to A P to B (Sq.cms)	B to T Sq. cms
Standard	4DLH10A	1.21	2.28

Operating pressure For ports P, A, B, C & G 350 bar
 For port T 7 bar max.
 Hydraulic medium Mineral oil
 Viscosity range 10 to 380 cSt
 Temperature range -20 °c to + 70 °c
 Fluid cleanliness requirement As per ISO 16/13 or better.
 Nominal flow handling capacity Refer graph.
 Mass 4DEH10A 11 kg.

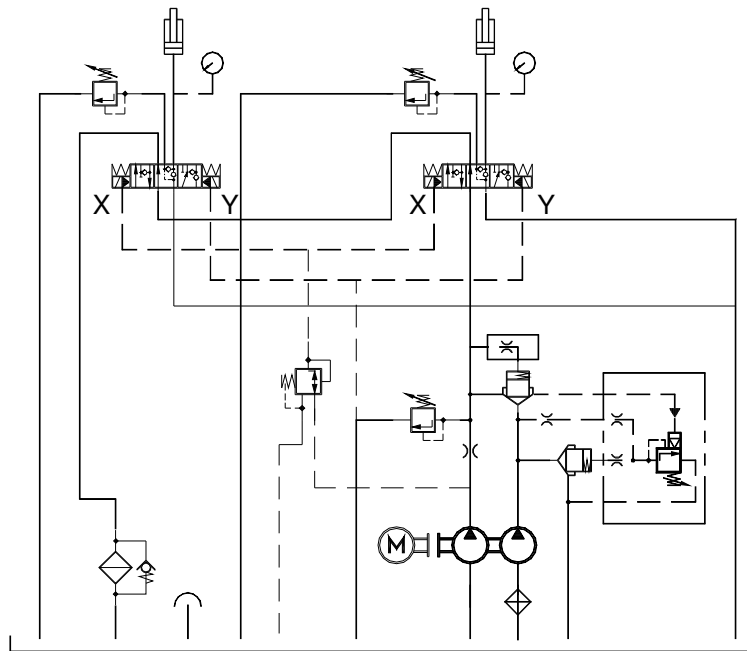
Performance curves

Pressure drop vs flow @ 68 cSt

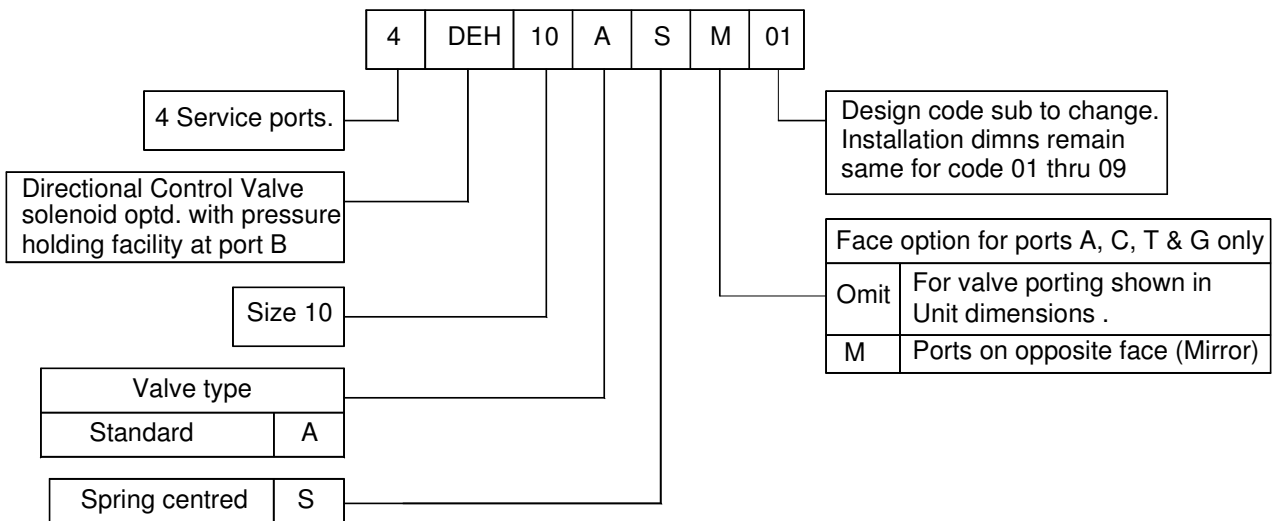


SOLENOID OPERATED DIRECTIONAL CONTROL VALVE MODEL : 4DEH

Hydraulic circuit showing typical application of valves



Ordering code



All rights reserved
subject to revision.