

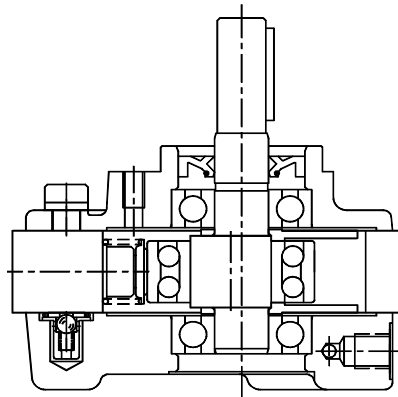
RADIAL PISTON PUMPS MODEL : 1RP3

Description

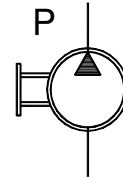
Radial piston arrangement with 3 pumping elements.
Oil immersed, open execution.
Face mounting.
Valve controlled.
Fixed delivery.
Bi-directional rotation of shaft.



Section

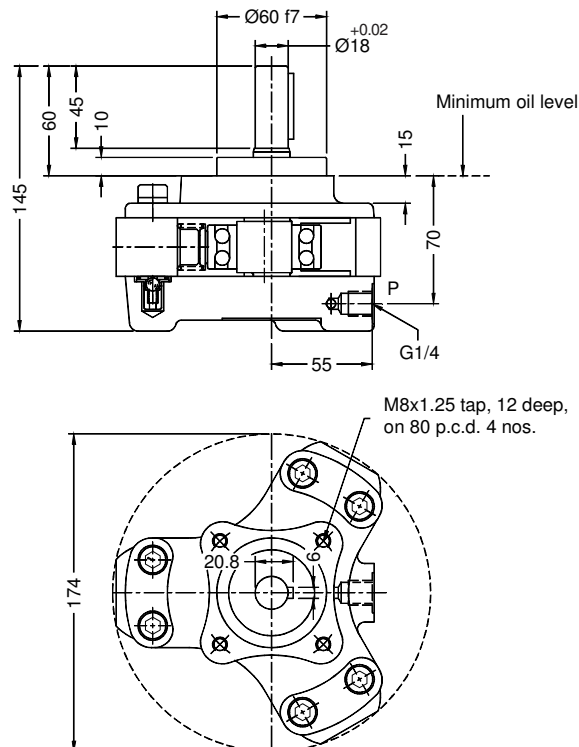


Hydraulic Symbol



Unit Dimensions

Dimensions in mm.



RADIAL PISTON PUMPS MODEL : 1RP3

Tehchnical Specifications

Designation	1RP, basic radial piston pump group
Design	Radial piston, valve controlled
No. of Pistons	3
Mounting	Face mounting. (Factory standard)
Direction of rotation	Can be run in either directions
Connection	Suction ... Sucks oil directly from tank, No suction port is provided
	Delivery ... G 1/4 Female
Speed range	300 to 2000 rpm
Hydraulic medium	Mineral oil
Viscosity range	16 to 32 cSt
Temperature range	-10 to +80 degree celcius (Do not exceed viscosity limits at extreme temperatures for efficient running of pump)
Fluid cleanliness requirement	As per ISO code 16/13
Performance	Refer Table no.1

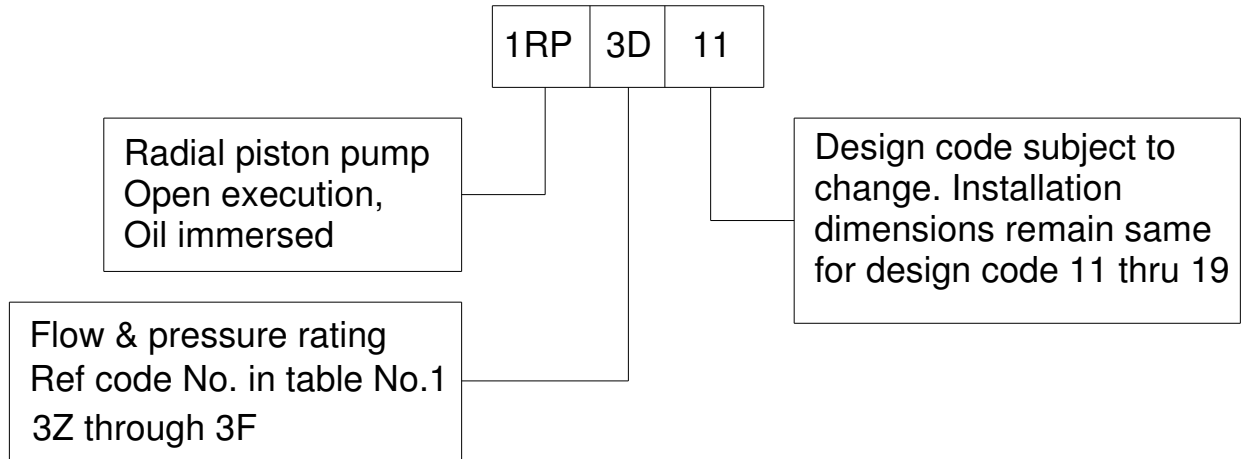
Table No.1

Code No.	Geometrical Displacement CC / REV	Rated Output @ 1450 rpm l / min.	Operating pressure bar	INPUT POWER REQUIREMENT(@1450 rpm)																											
				50 bar		100 bar		150 bar		200 bar		250 bar		300 bar		350 bar		400 bar		450 bar		500 bar		550 bar		600 bar		650 bar		700 bar	
				KW	HP	KW	HP	KW	HP	KW	HP	KW	HP	KW	HP	KW	HP	KW	HP	KW	HP	KW	HP	KW	HP	KW	HP	KW	HP	KW	HP
3Z	0.69	0.9	700	0.1	0.13	0.19	0.26	0.29	0.39	0.39	0.52	0.48	0.64	0.58	0.78	0.68	0.91	0.77	1.03	0.87	1.17	0.96	1.29	1.06	1.4	1.16	1.55	1.25	1.68	1.35	1.81
3A	1.21	1.5	550	0.17	0.23	0.3	0.5	0.5	0.7	0.7	0.9	0.9	1.2	1	1.4	1.2	1.6	1.4	1.8	1.6	2.1	1.7	2.3	1.9	2.5						
3B	1.88	2.5	450	0.27	0.36	0.5	0.7	0.8	1.1	1.1	1.4	1.3	1.8	1.6	2.2	1.9	2.5	2.1	2.9	2.4	3.2										
3C	2.71	3.7	350	0.39	0.52	0.8	1	1.2	1.6	1.5	2.1	1.9	2.6	2.3	3.1	2.7	3.6														
3D	3.19	4.3	300	0.45	0.61	0.9	1.2	1.4	1.8	1.8	2.4	2.3	3	2.7	3.6																
3E	3.69	5	250	0.53	0.7	1.1	1.1	1.6	2.1	2.1	2.8	2.6	3.5																		
3F	4.24	5.8	200	0.6	0.81	1.2	1.6	1.8	2.4	2.4	3.2																				

Note:- The first digit in the code No. indicates No. of pumping elements in the pump. The second letter indicates flow and pressure rating of pumping elements.
Code No. 3C for example indicates a pump with 3 elements having rated flow of 3.7 l / min and operating pressure upto 350 bar.

RADIAL PISTON PUMPS MODEL : 1RP3

Ordering code



All rights reserved
Subject to revision

PRISM HYDRAULICS PVT. LTD.
B-23, Angol Ind. Estate
Udyambag,
Belgaum - 590 008, INDIA.

Phone :- +91-(0831)-2443448
Fax :- +91-(0831)-4202340
E-mail :- prismhydraulics@gmail.com