

COVER WITH BUILT IN SHUTTLE VALVE MODEL : LCC*S

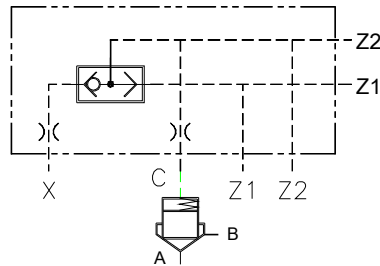
Description

Designed to control the opening & closing of the cartridge valve

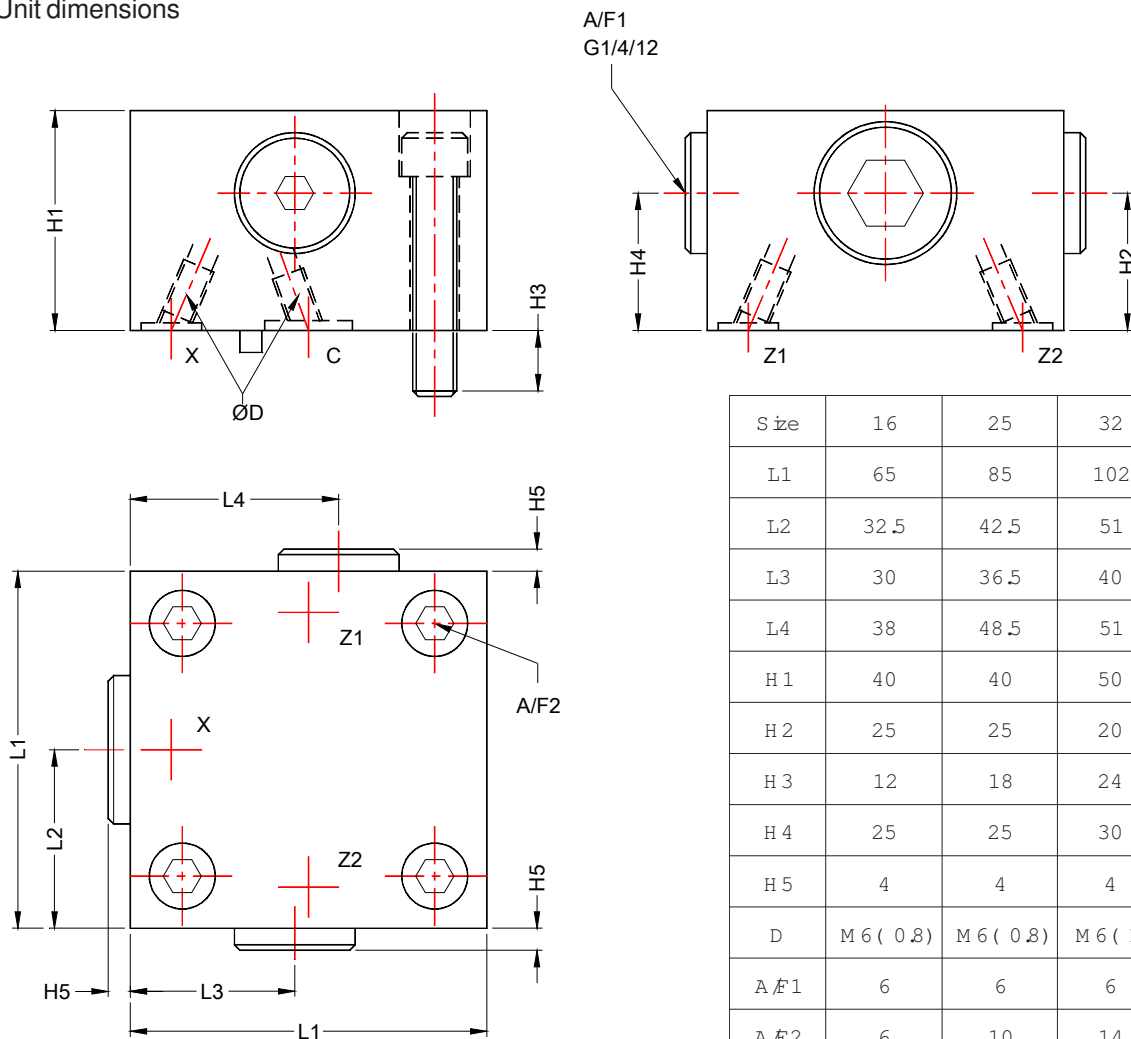
Cover has a built-in seat type shuttle valve.



Hydraulic symbol



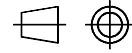
Unit dimensions



COVER WITH BUILT IN SHUTTLE VALVE MODEL : LCC*S

Unit Dimensions

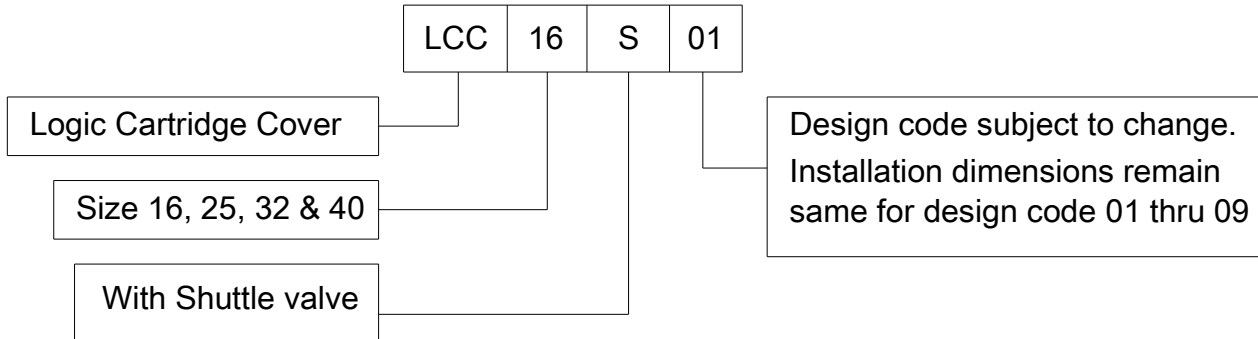
Dimensions in mm.



| Size | Cover fixing S.H.C. screw 12.9 | Tightening torque da Nm |
|------|--------------------------------------|----------------------------|
| 16 | M 8x40 L | 3.2 |
| 25 | M 12x45 L | 11 |
| 32 | M 16x55 L | 27 |
| 40 | M 20x70L | 52 |

Note :- Mounting interface as per ISO 7368

Ordering Code



All rights reserved
subject to revision.