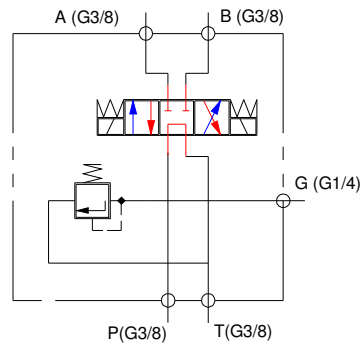


MANIFOLD ASSEMBLY MODEL :- MNA

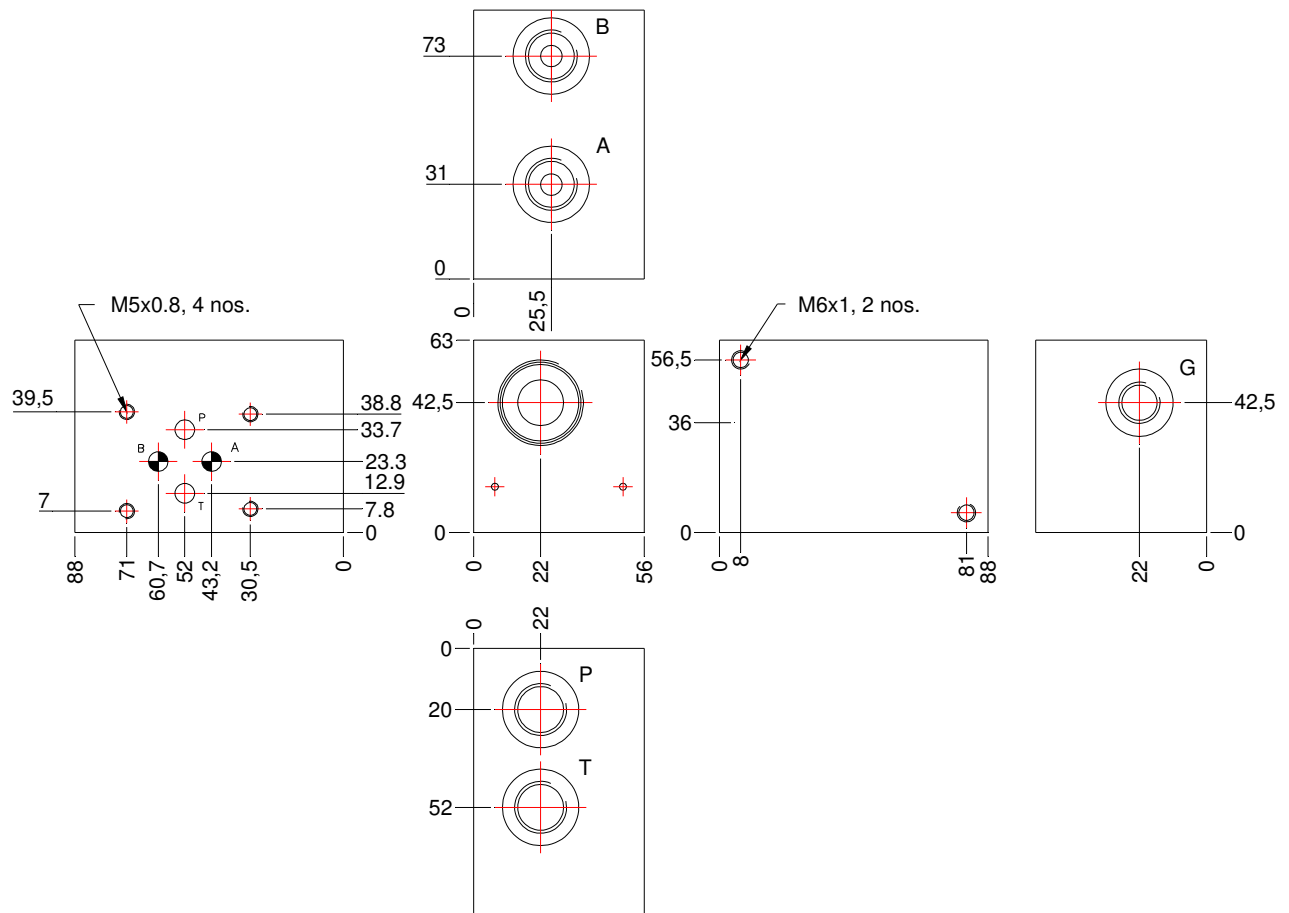
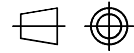
1 Hydraulic Circuit



2 Unit Dimensions

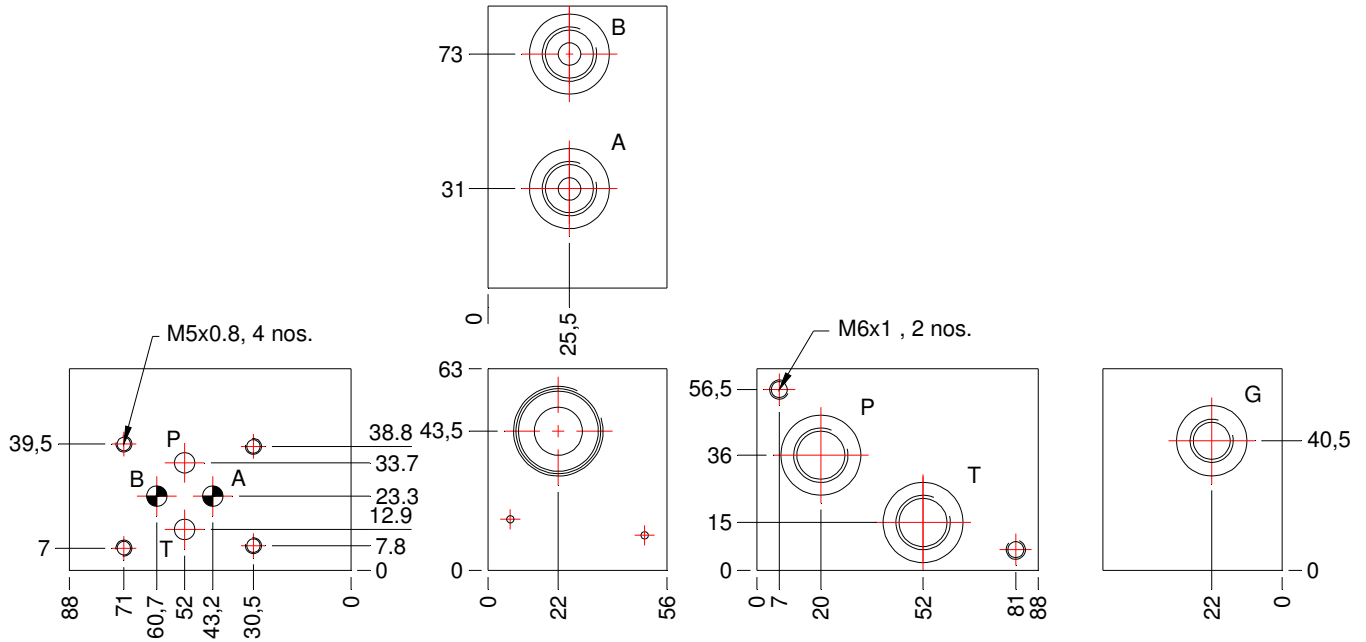
Side Entry

Dimensions in mm.



MANIFOLD ASSEMBLY MODEL : MNA

Bottom Entry



5. Ordering code

