

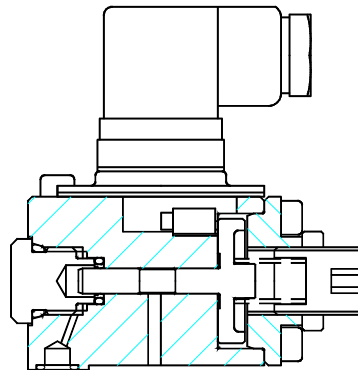
HYDRO - ELECTRIC PR. SWITCH WITH 10 bar Max. MODEL : HES

Description

Spring loaded sealed piston construction.
Encapsulated design for protection against dirt.
Non adjustable differential type.
Maximum pressure range adjustable upto 10 bar.
Plug-in connector conforming to DIN 43650 / ISO 4400 for electrical connection as standard feature.
Transparent plug-in connector is available with LED.



Section

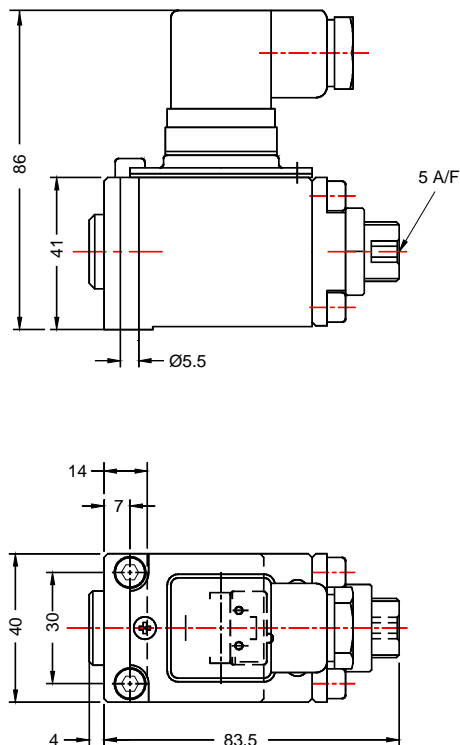


Hydraulic Symbol



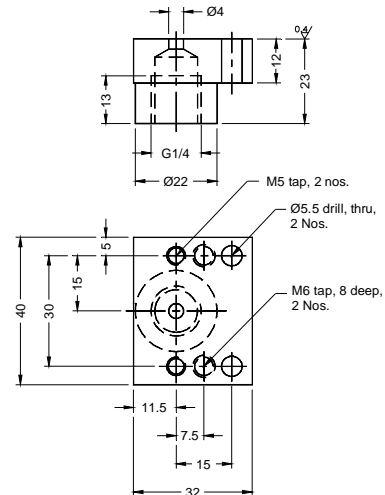
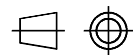
Unit Dimensions

Subplate mounting

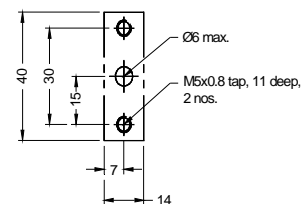


Dimensions in mm.

Subplate



Mounting interface

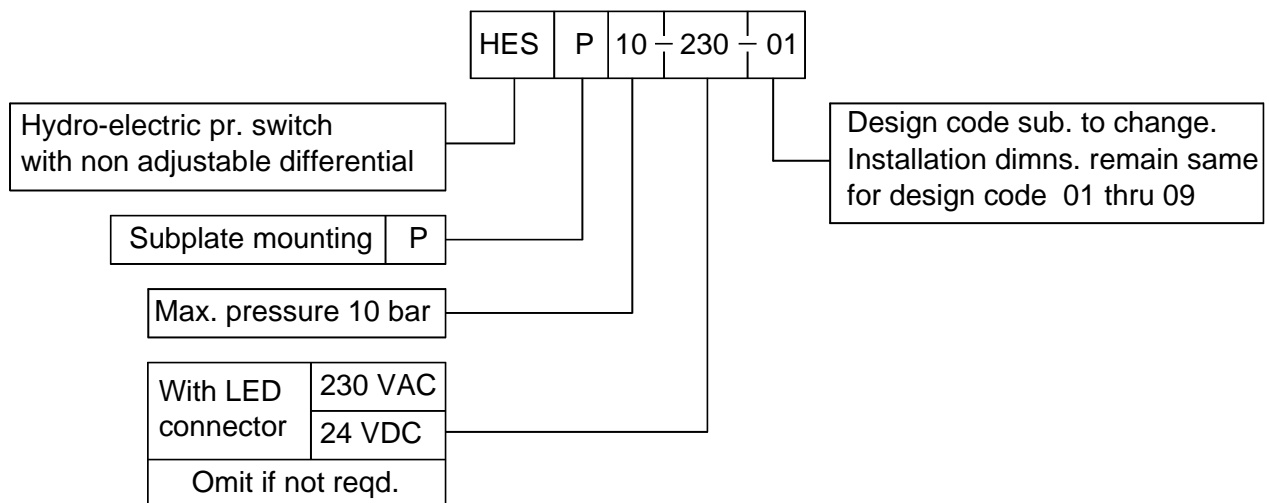


HYDRO - ELECTRIC PR. SWITCH 10 bar max. MODEL : HES

Technical Specifications

Construction	Spring loaded sealed piston type
Mounting style	Subplate mounting
Interface	Factory standard
Mounting position	Optional.(Pr. sensing port facing downward preferred)
Hydraulic medium	Mineral oil
Viscosity range	10 to 380 cSt
Fluid temperature range	-20 to +70 degree celcius
Oil cleanliness requirement	As per I.S.O. 16/13
Maximum line pressure	350 bar
Minimum operating pressure	2 bar
Pressure range available	Adjustable upto 10 bar
Switching frequency	120 / min
Switching accuracy	± 1%
Electrical rating	250 VAC 5.0 A 50 VAC 1.0 A 250 VDC 0.2 A
Electrical connection	Plug-in connector conforms to DIN 43650, ISO 4400. Transperant plug-in connector with LED, for an indication when line pressure is above set pressure 230 VAC 5 A max. 24 VDC 1 A max.
Mass	Pressure switch . . . 0.8 kg. Subplate . . . 0.25 kg.

Ordering code



All rights reserved
 subject to change.