

CHECK VALVE MODEL : CV

Description

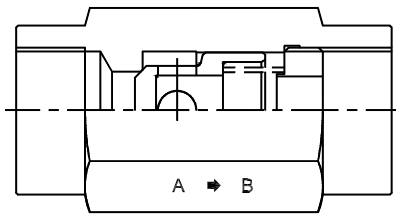
Seat type valves.
Free flow from port A to port B and leakage free flow closure in opposite direction.
Two standard mounting styles.
1. Inline mounting CV*G
2. Subplate mounting CV*P



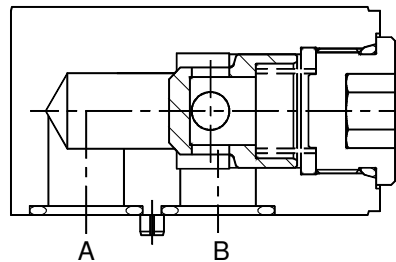
Section

Hydraulic Symbol

Line mounting valve



Subplate mounting valve



Unit Dimensions

Inline mounting valves

Dimensions in mm.

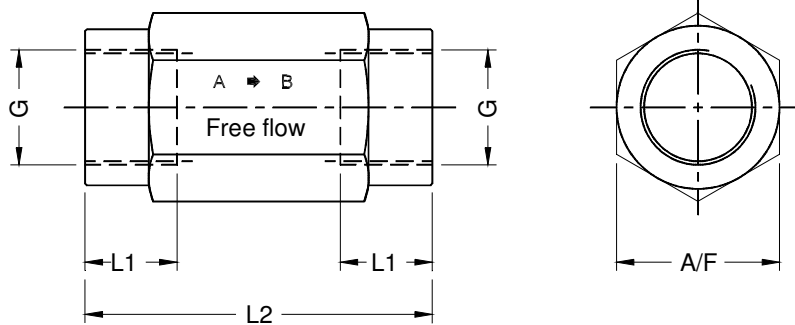
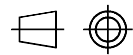


Table No.1

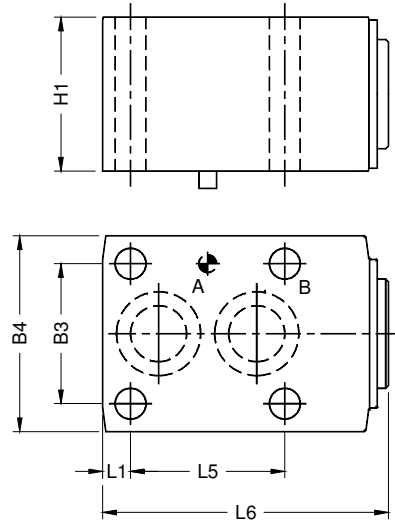
Size	Mass kg	G	L1	L2	A/F
06	0.1	G1/4	12	58	19
08	0.16	G3/8	14	58	24
10	0.31	G1/2	14	72	30
15	0.46	G3/4	18	85	36
20	0.95	G1	18	98	46
25	1.88	G1-1/4	20	120	60
30	2.3	G1-1/2	22	132	65

CHECK VALVE MODEL : CV

Subplate mounting

Table No.2

Size	Mass kg	L1	L5	L6	B3	B4	H1
O6	0.27	7	18	51	22	37	26
10	1	9	33	74	36	55	38
20	2.8	10	55	102	50	70	55
30	8.15	15	85	157	75	105	82



Subplate

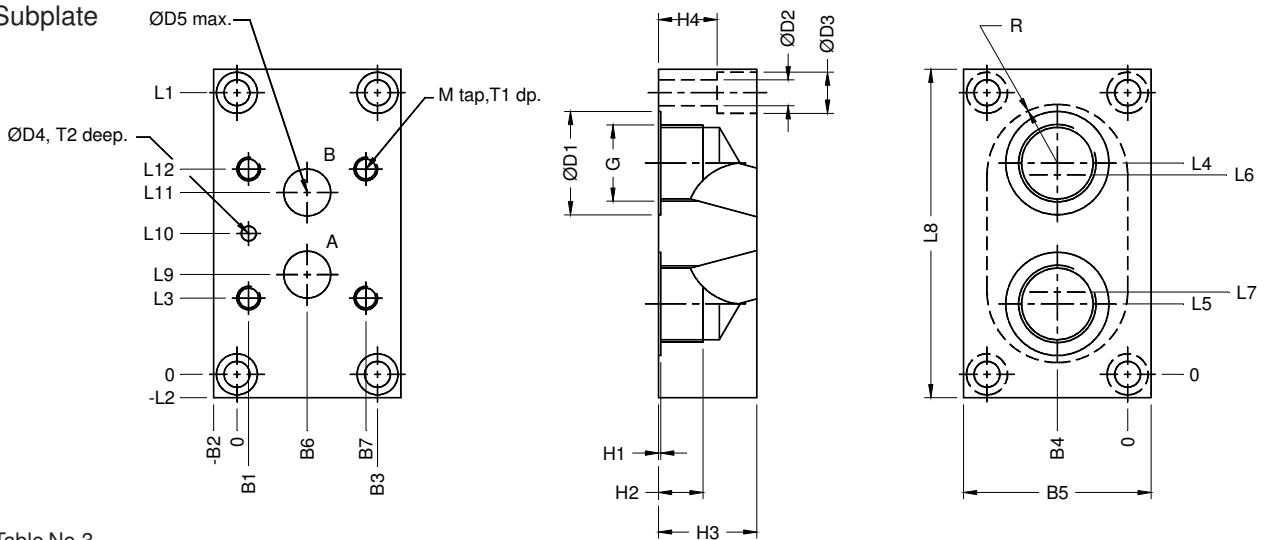


Table No.3

Size	Model	Mass kg.	B1	B2	B3	B4	B5	B6	B7	G	ØD1	ØD2	ØD3	ØD4	ØD5	H1	H2	H3	H4	M
O6	CV06G01	0.75	5	6	33	16.5	45	16	27	G1/4	22	6.6	10	4	6	1	12	30	20	M6
10	CV10G03	1.4	2	10	40	20	50	20	38	G1/2	30	9	14.5	4	11	1	14	35	18	M8
20	CV20G05	3.5	5	10	60	30	80	30	55	G1	44	11	17.5	7	22	1	16	42	25	M10
30	CV30G07	8.5	7.5	10	90	45	110	45	82.5	G1-1/2	60	11	17.5	7	31	1	20	55	40	M12

Size	Model	L1	L2	L3	L4	L5	L6	L7	L8	L9	L10	L11	L12	T1	T2	R	Valve fixing screws.	Tightening torque (Nm)
O6	CV06G01	62	6	22	44.5	17.5	27	17.5	74	25	31	37	40	12	5	16	M6x35L	15
10	CV10G03	89	9	28	64.5	24.5	40	24.5	107	34	44.5	55	61	14	5	20	M8x50L	35
20	CV20G05	120	10	32.5	90	30	60	30	140	42.5	60	77.5	87.5	19	8	30	M10x70L	70
30	CV30G07	140	20	47.5	110	30	80	30	180	67.5	90	112.5	132.5	22	8	40	M12x100L	115

CHECK VALVE MODEL : CV

Technical Specifications

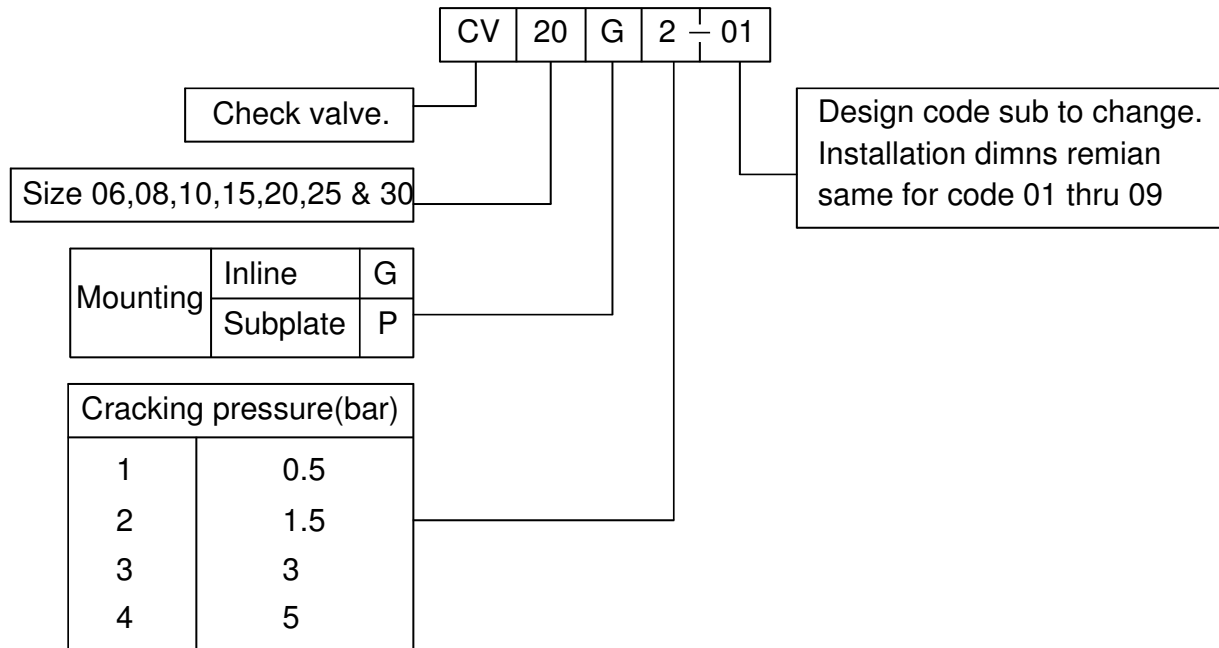
Construction Seat type.
 Mounting Inline or subplate mounting
 Interface Factory standard
 Mounting positionOptional.
 Flow direction Free flow from port A to B.
 Leakage free closure in opposite direction

Operating pressure 315 bar.
 Hydraulic mediumMineral oil.
 Viscosity range 10 cSt to 380 cSt
 Fluid temperature range -20 °c to + 70 °c
 Fluid cleanliness requirement As per ISO 16/13 or better
 Nominal flow handling capacity

Size	06	08	10	15	20	25	30
Flow(l/min)	10	20	30	80	120	220	280

Cracking pressure (bar) 0.5, 1.5, 3 or 5.

Ordering Code



Sizes 08, 15 & 25 are available only in threaded mounting.

Note :- Subplate to be ordered seperately.
For ordering code ref Table No.3

CHECK VALVE MODEL : CV

All rights reserved
subject to revision.

PRISM HYDRAULICS PVT. LTD.
B-23, Angol Indl. Estate,
Udyambag,
Belgaum - 590 008. INDIA.

Phone :- +91-(0831)-2443448
Fax :- +91-(0831)-4202340
E-mail :- prismhydraulics@gmail.com