

STANDARD COVER MODEL : LCC*X

Description

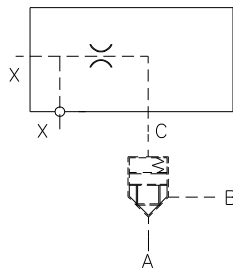
Designed to control the opening & closing of the cartridge valve

Provision for remote control

Normally used for check valve function

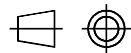
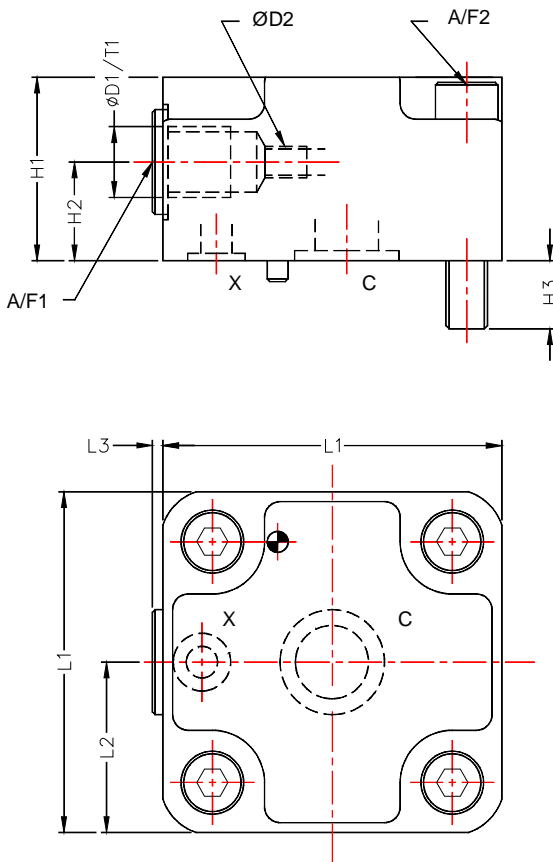


Hydraulic Symbol



Unit Dimensions

Dimensions in mm.

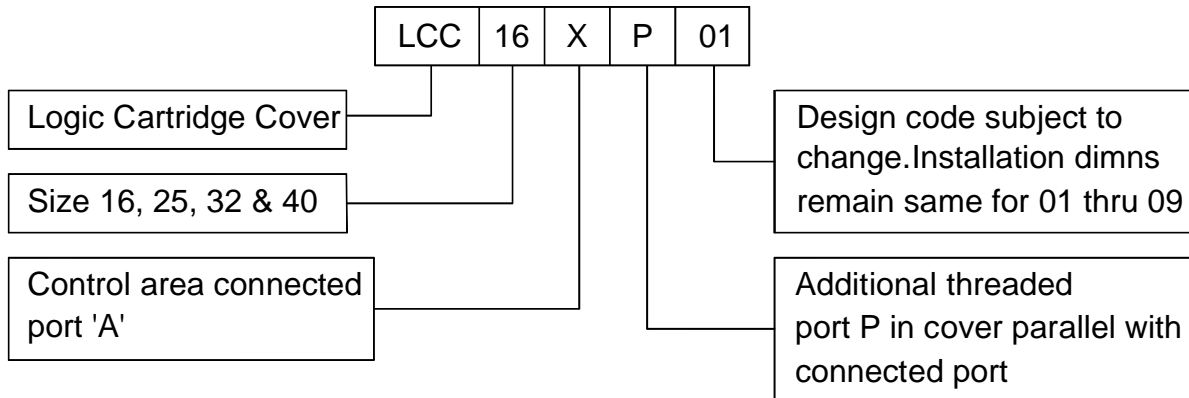


Size	L1	L2	L3	H1	H2	H3	D1	D2	A/F1	A/F2	T1
16	65	32.5	2	35	20	12	G1/8	M6	5	6	8
25	85	42.5	3	40	25	18	G1/4	M6	6	10	12
32	102	51	3	50	30	24	G1/4	M6	6	14	12
40	125	62.5	3	60	30	30	G1/2	M8	10	17	15

Size	Cover fixing S.H.C.screw 12.9	Tightening torque da Nm
16	M8x40 L	3.2
25	M12x45 L	11
32	M16x55 L	27
40	M20x70L	52

STANDARD COVER MODEL : LCC*X

Ordering Code



All rights reserved
subject to revision.