

RELIEF CUM UNLOADING COVER

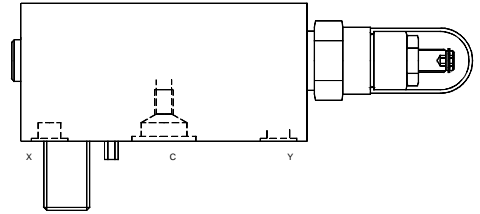
MODEL : LCC*U

Description

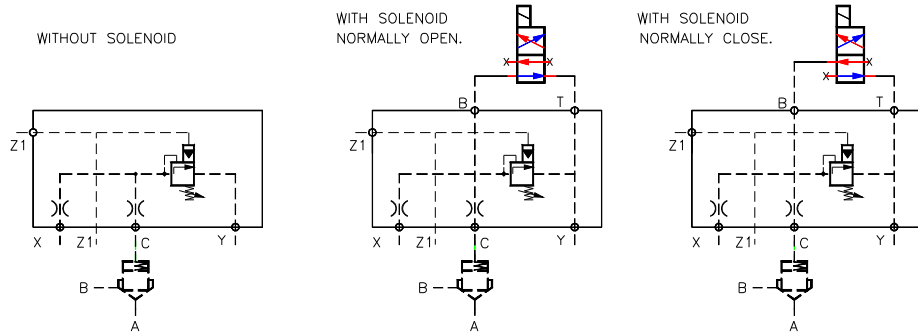
Designed to control the opening & closing of the cartridge valve

Provision for remote control

Provision for solenoid unloading (Normally open or Normally closed)

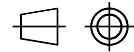
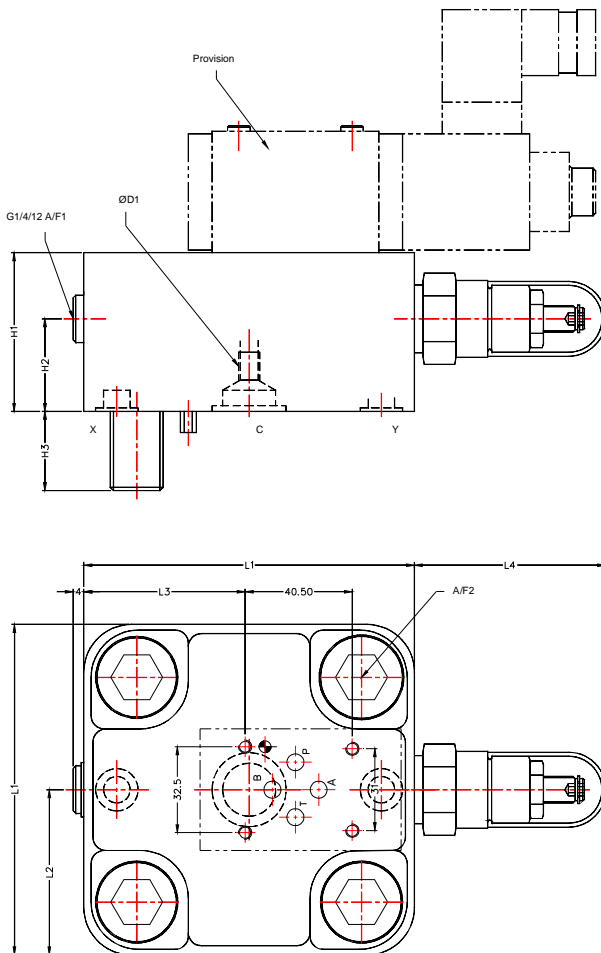


Hydraulic Symbol



Unit Dimensions

Dimensions in mm.

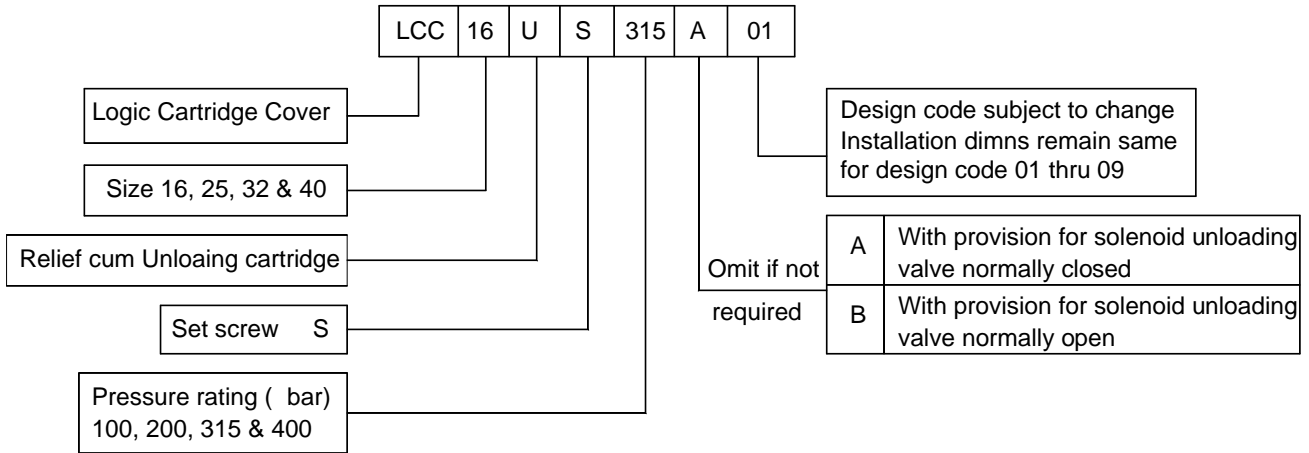


Size	16	25	32	40
L1	65	85	102	125
L2	32.5	42.5	51	62.5
L3	27	40	53.7	61
L4	85	81.5	83.5	66.5
H1	51	52	50	60
H2	30	30	25	35
H3	12	18	24	30
D1	M6(0.8)	M6(0.8)	M6(1)	M8(1)
A/F1	6	6	6	6
A/F2	6	10	14	17

Size	Cover fixing S.H.C.screw 12.9	Tightening torque da Nm
16	M8x40 L	3.2
25	M12x45 L	11
32	M16x55 L	27
40	M20x70L	52

RELIEF CUM UNLOADING COVER MODEL : LCC*U

Ordering Code



All rights reserved
subject to revision.

PRISM HYDRAULICS PVT. LTD.
B-23 Angol Indl. Estate,
Udyambag,
Belgaum - 590 008. INDIA.

Phone :- +91-(0831)-2443448
Fax :- +91-(0831)-4202340
E-mail :- prismhydraulics@gmail.com