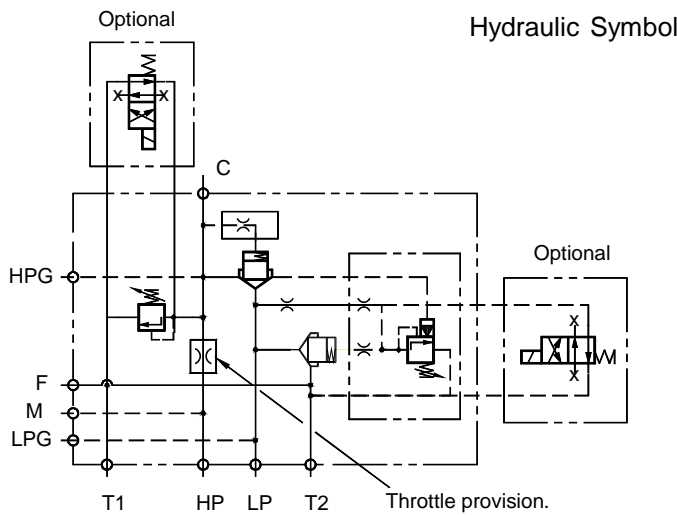


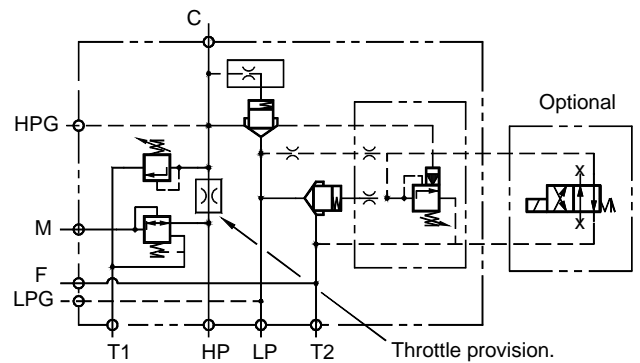
PRESSURE CONTROL UNIT MODEL : PCU

Description

Pressure Control Unit is designed to control double pumps of Hi-Low system.
 Unloads low pressure pump when system pressure rises above the Unloader pressure.
 Relieves the High pressure pump when system pressure reaches the Relief valve setting.
 Solenoid unloading facility available as an option.



PCU 20-06 and PCU20-10 with provision for filter port.



PCU 20-06 and PCU20-10 with provision for mounting pressure reducing valve (DMV*06*A**)

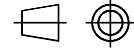
Connection Details

- HP High pressure pump connection.
- LP Low pressure pump connection.
- C Out-let connection.
- HPG Gauge connection on high pressure line.
- LPG Gauge connection on low pressure line.
- M Pilot pressure connection
- T1 Tank connection of high pressure relief valve
- T2 Tank connection for low pressure unloader valve
- F Filter port connection for low pressure pump only.
- M Outlet port (Reduced pressure)

PRESSURE CONTROL UNIT MODEL : PCU

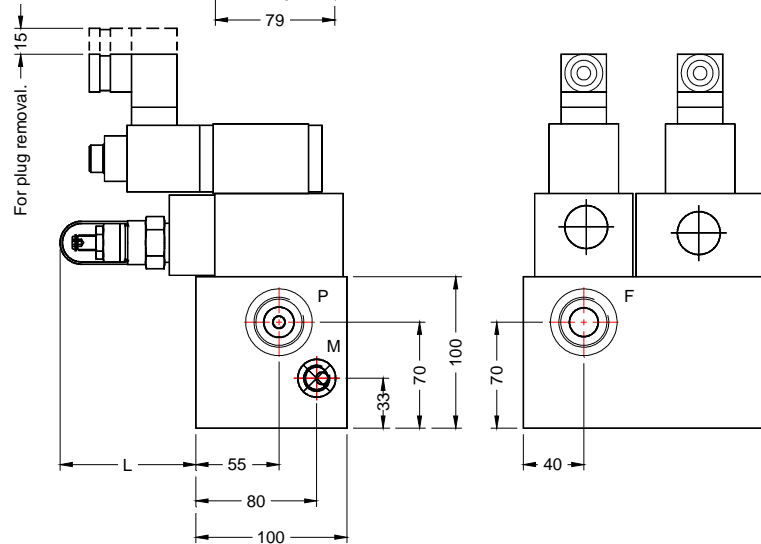
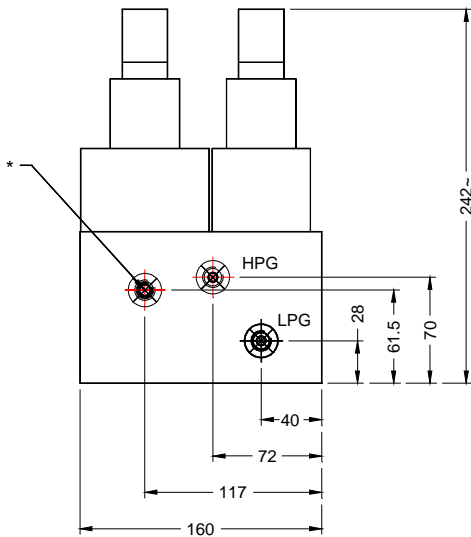
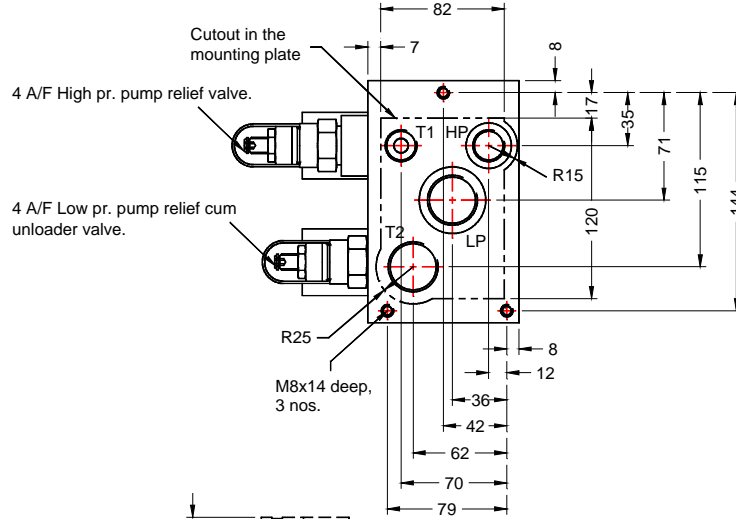
Unit Dimensions

Dimensions in mm.



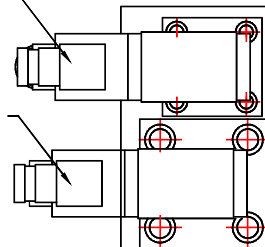
PCU 20-06 and PCU 20-10 with provision for filter port.

Port	Details
HP	G1/2
LP	G1
C	G1
M	G3/8
HPG	G1/4
LPG	G1/4
T1	G1/2
T2	G1
F	G1



Solenoid valve for unloading low pressure pump (by venting)
Optional.

Solenoid valve for unloading high pressure pump
Optional.

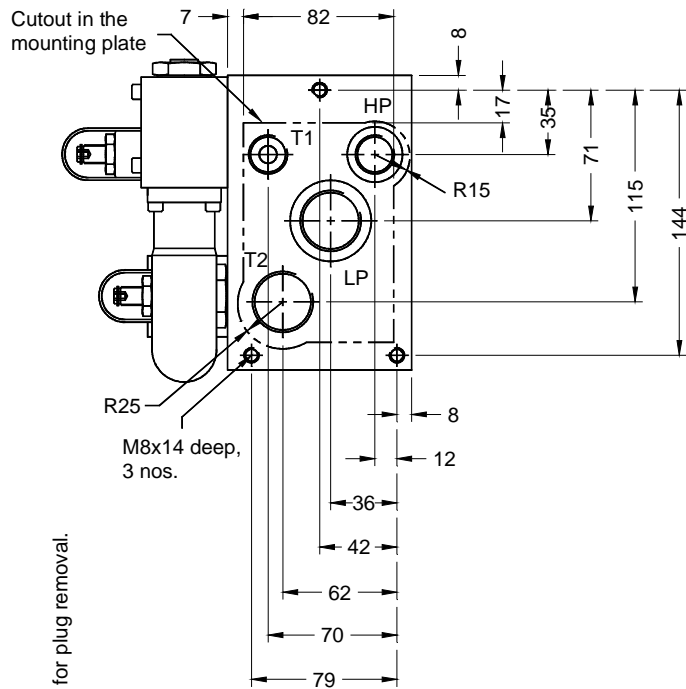


* : Open this plug to insert throttle in high pressure line.(Not fixed in the Unit unless specified.)
Throttle size 1/8 NPT

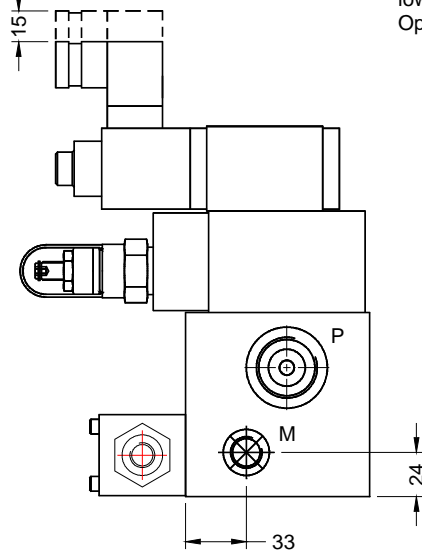
Model	L
PCU20-06	79.5
PCU20-10	102.5

PRESSURE CONTROL UNIT MODEL : PCU

PCU 20-06 and PCU 20-10 with provision for mounting pressure reducing valve DMV*06A***

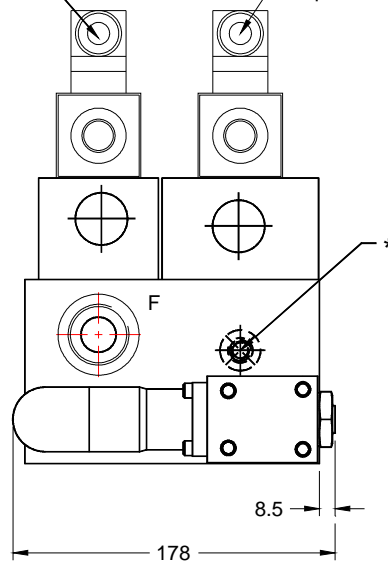


Min. for plug removal.



Solenoid valve for unloading low pressure pump(venting) Optional.

Solenoid valve for unloading high pressure pump Optional.



* : Open this plug to insert throttle in the high pressure line.
(Not fixed in the Unit unless specified.)
Throttle size 1/8 NPT

Optional to be ordered seperately.

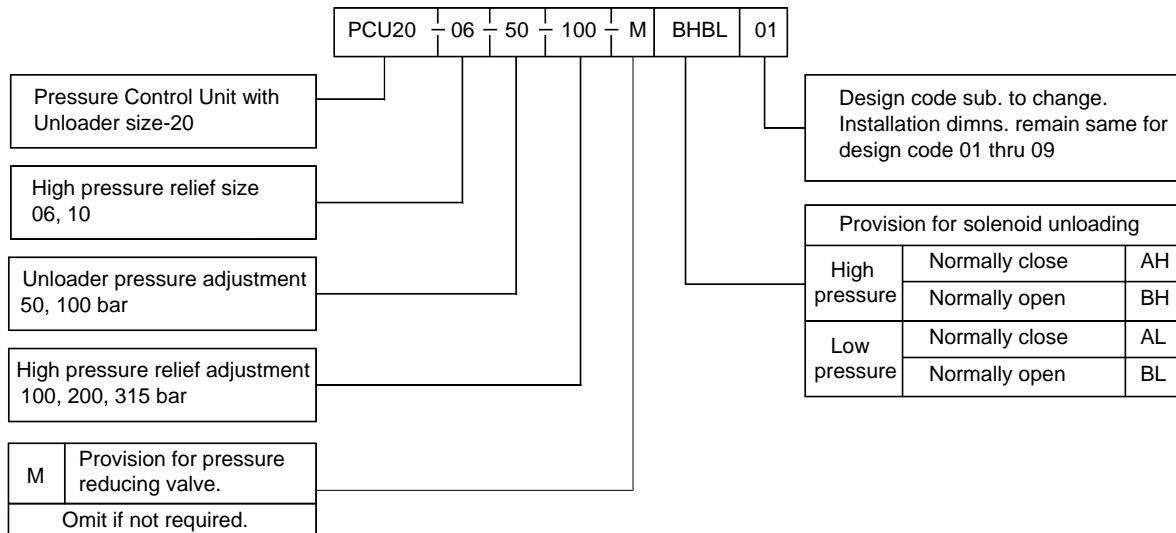
PRISM HYDRAULICS PVT. LTD.

PRESSURE CONTROL UNIT MODEL : PCU

Technical Specifications.

Construction PCU 20-06 and PCU 20-10	Direct acting poppet type high pressure relief valve. Two stage poppet type low pressure unloading valve. All valves fitted in cavities machined as per DIN 24342
Mounting	Threaded bodies (Factory standards)
Mounting position	Optional
Flow direction	As per hydraulic symbol
Operating pressure	For low pressure pump 50 bar & 100 bar. For high pressure pump 100, 200, 315 bar.
Hydraulic medium	Mineral oil.
Viscosity range	10 cSt to 380 cSt.
Fluid temperature range	-20 ① to + 70 ① .
Fluid cleanliness requirement	As per ISO 16 / 13
Maximum flow handling capacity	Model High pressure Low pressure
	PCU20-06 25 l / min. 160 l / min.
	PCU20-10 60 l / miin. 160 l /min.
Mass	14 kg approx.

Ordering Code



All rights reserved
 subject to revision.

PRISM HYDRAULICS PVT. LTD.
 B-23 Angol Indl. Estate,
 Udyambag,
 Belgaum - 590 008. INDIA.

Phone :- +91-(0831)- 2443448
 Fax :- +91-(0831)- 4202340
 E-mail :- prismhydraulics@gmail.com