

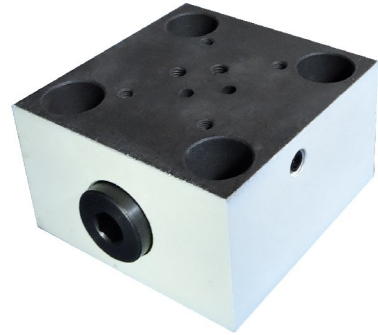
COVER WITH BUILT IN SHUTTLE VALVE FOR FITTING DCV MODEL :-LCC*SDE

Description

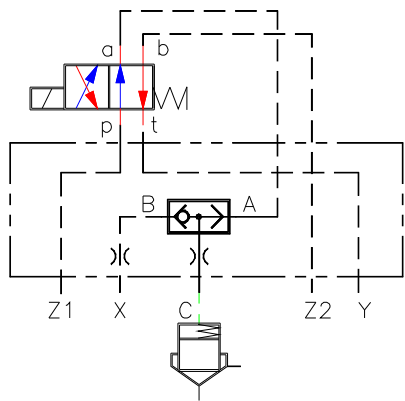
Designed to control the opening & closing of the cartridge valve

Cover has built in shuttle valve

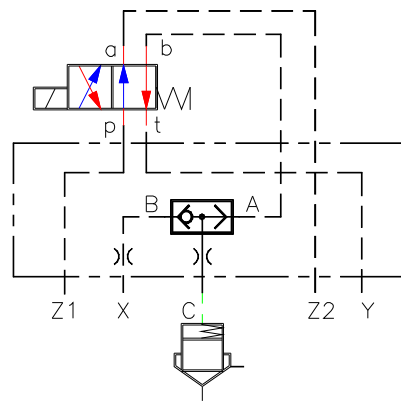
Different configurations are available as shown in the hydraulic symbol



Hydraulic Symbol



LCC*SDEAA***

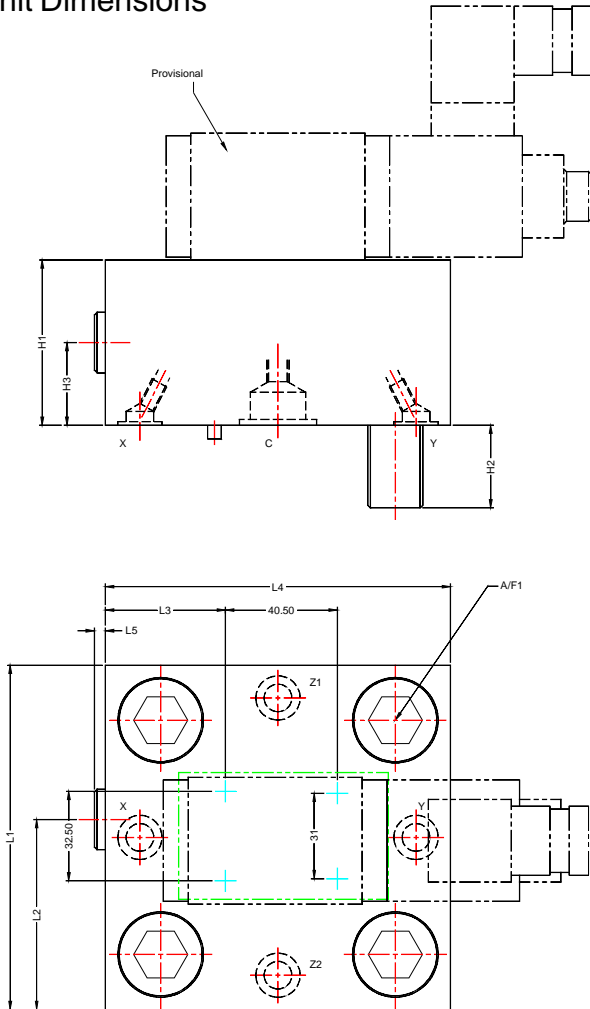
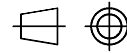


LCC*SDEAB***

COVER WITH BUILT IN SHUTTLE VALVE FOR FITTING D.C.V. MODEL :LCC*SDE

Unit Dimensions

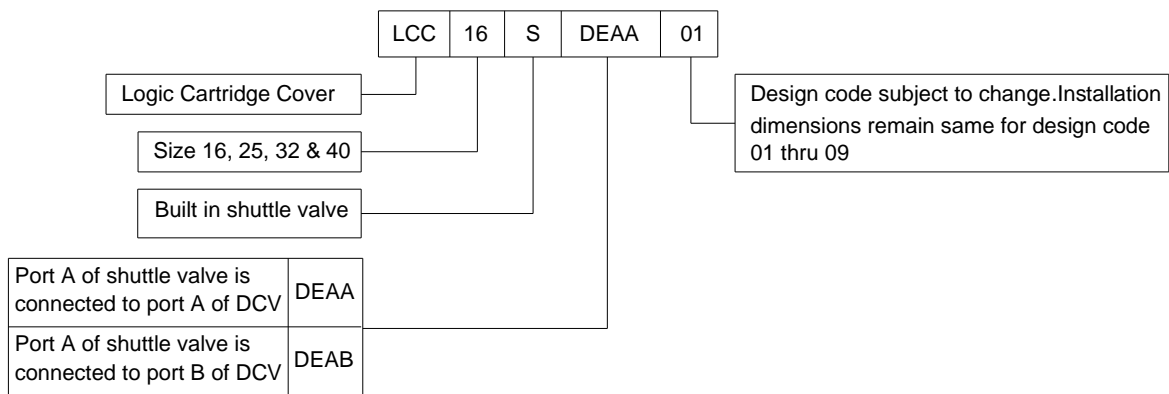
Dimensions in mm.



Size	16	25	32	40
L1	65	85	102	125
L2	32.5	42.5	51	62.5
L3	26.2	23.5	32	43.5
L4	75	85	102	125
L5	4	4	4	4
H1	50	50	50	60
H2	12	18	24	30
H3	18	25	29	30
A/F1	6	10	14	17

Size	Cover fixing S.H.C.screw 12.9	Tightening torque da Nm
16	M8x40 L	3.2
25	M12x45 L	11
32	M16x55 L	27
40	M20x70L	52

Ordering Code



All rights reserved
subject to revision.

PRISM HYDRAULICS PVT. LTD.
B-23 Angol Indl. Estate,
Udyambag,
Belgaum - 590 008. INDIA.

Phone :- +91-(0831)-2443448
Fax :- +91-(0831)-4202340
E-mail :- prismhydraulics@gmail.com