

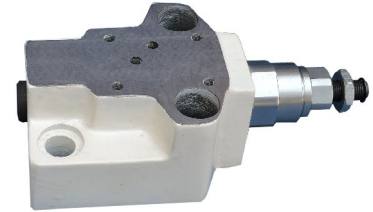
RELIEF COVER MODEL : LCC*R

Description

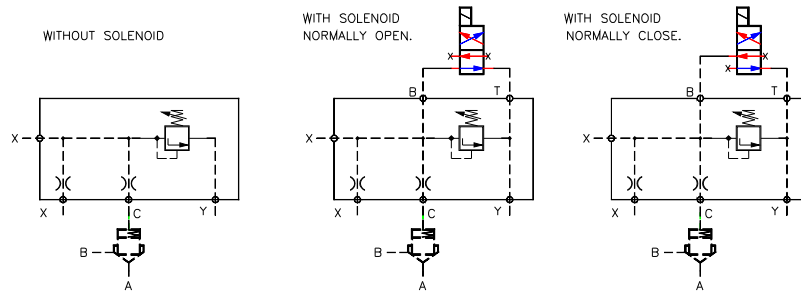
Designed to control the opening & closing of the cartridge valve

Provision for remote control

Provision for solenoid relieving(Normally open or Normally closed)

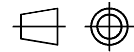
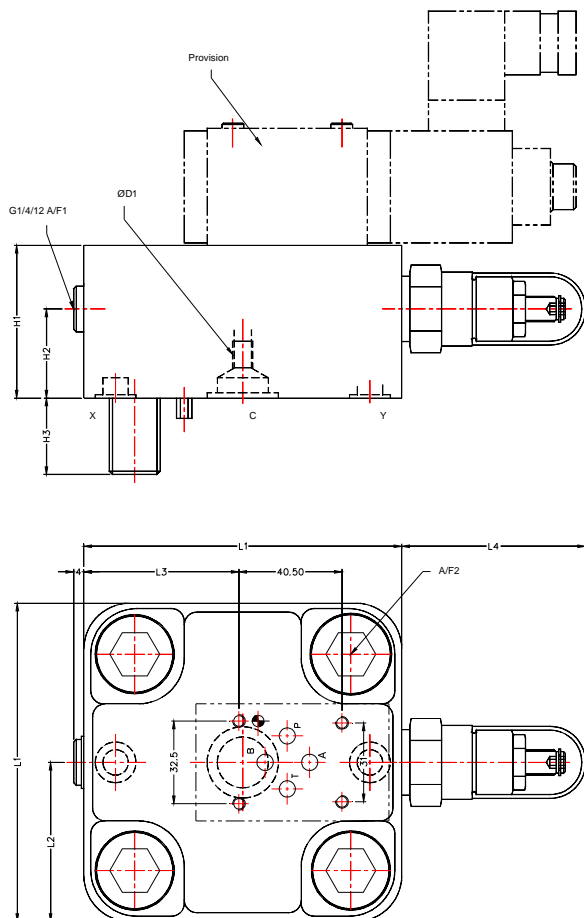


Hydraulic Symbol



Unit Dimensions

Dimensions in mm.

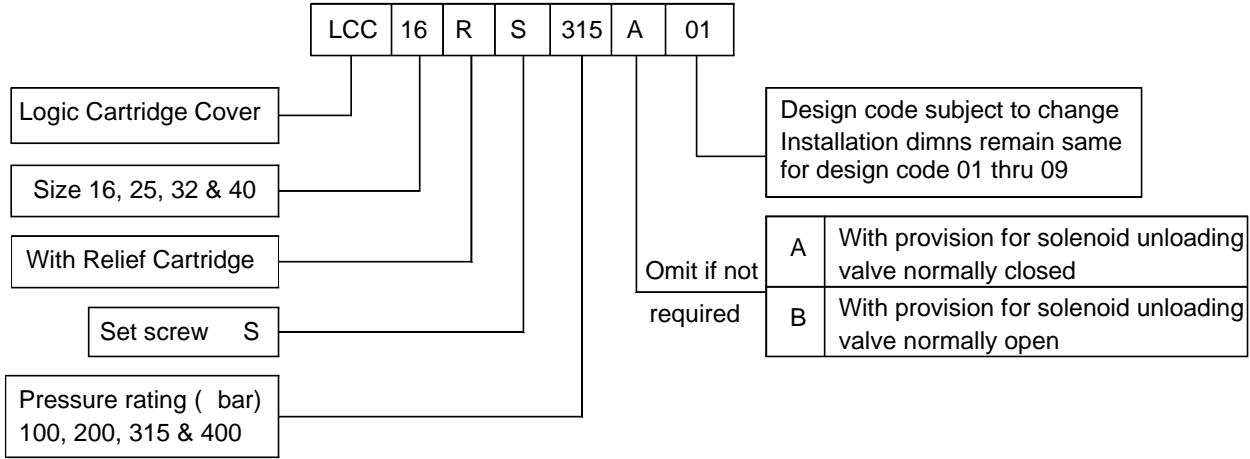


| Size | 16 | 25 | 32 | 40 |
|------|----------|----------|--------|--------|
| L1 | 65 | 85 | 102 | 125 |
| L2 | 32.5 | 42.5 | 51 | 62.5 |
| L3 | 26.7 | 40 | 56.7 | 61 |
| L4 | 85 | 81.5 | 83.5 | 66.5 |
| H1 | 55 | 63 | 63 | 60 |
| H2 | 25 | 28 | 25 | 35 |
| H3 | 12 | 18 | 24 | 30 |
| D1 | M6(0.8) | M6(0.8) | M6(1) | M8(1) |
| A/F1 | 6 | 6 | 6 | 6 |
| A/F2 | 6 | 10 | 14 | 17 |

| Size | Cover fixing S.H.C.screw 12.9 | Tightening torque da Nm |
|------|-------------------------------|-------------------------|
| 16 | M8x40 L | 3.2 |
| 25 | M12x45 L | 11 |
| 32 | M16x55 L | 27 |
| 40 | M20x70L | 52 |

RELIEF COVER MODEL : LCC*R

Ordering Code



All rights reserved
subject to revision.

PRISM HYDRAULICS PVT. LTD.
B-23 Angol Indl. Estate,
Udyambag,
Belgaum - 590 008. INDIA.

Phone :- +91-(0831)-2443448
Fax :- +91-(0831)-4202340
E-mail :- prismhydraulics@gmail.com