

COVER FOR FITTING DIRECTIONAL CONTROL VALVE MODEL : LCC*DE

Description

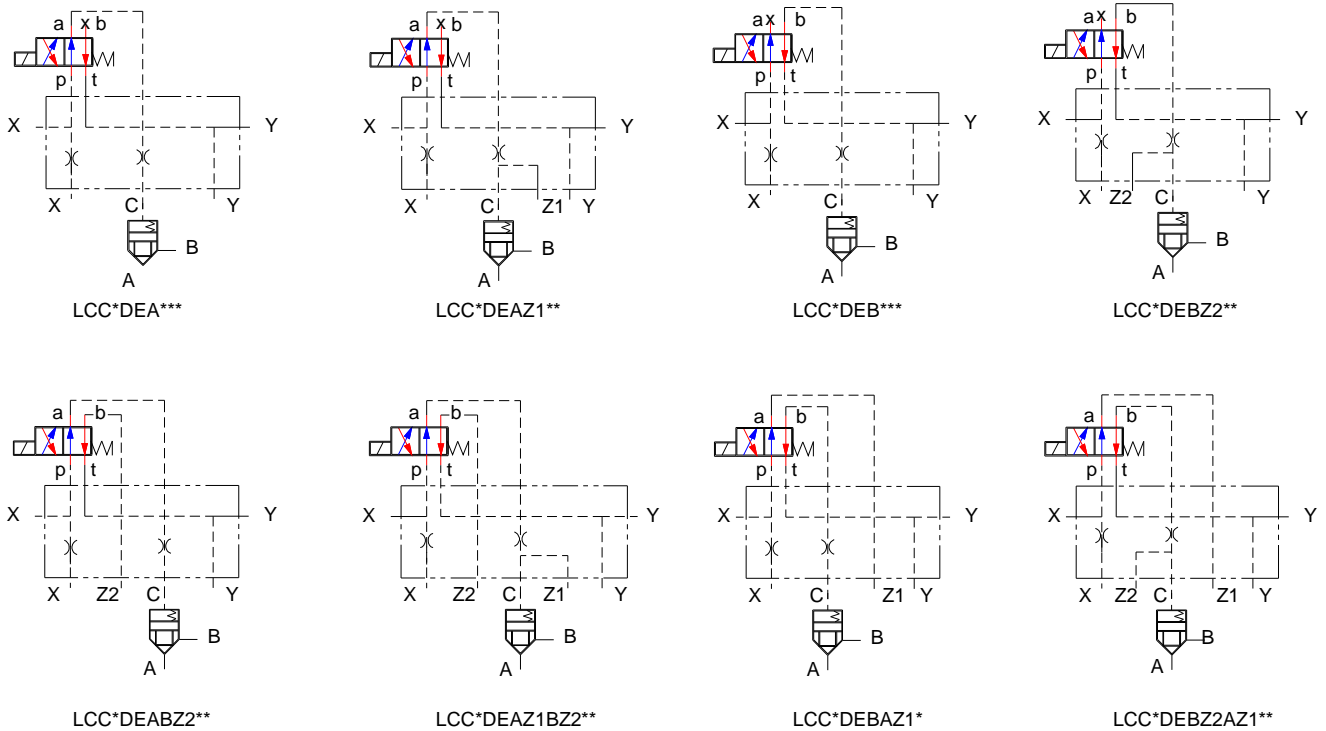
Designed to control the opening & closing of the cartridge valve

Normally used for directional control function.

Different configurations are available as shown in the hydraulic symbol



Hydraulic Symbol

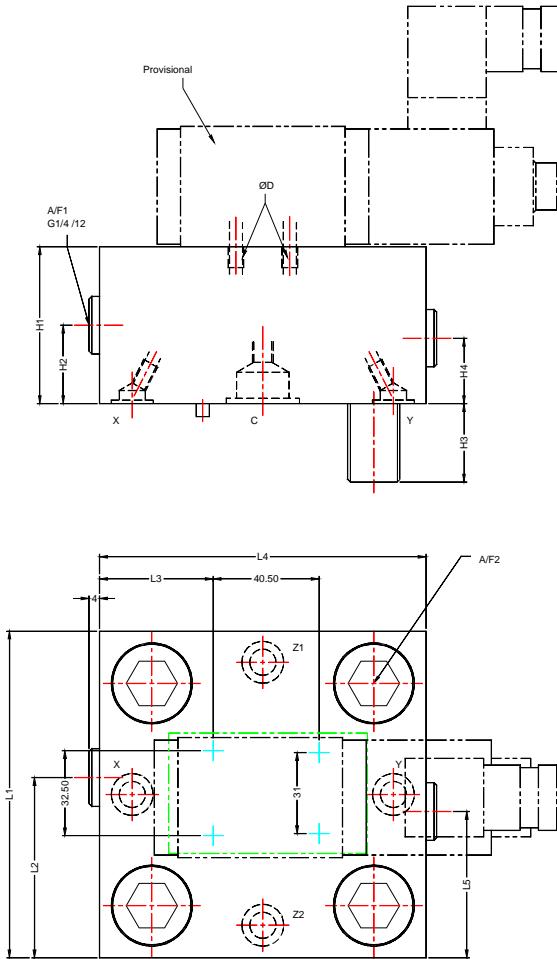
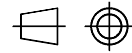


Note:- Covers are provided with Solenoid mounting provision
 Cover shown with single solenoid valves, can be fitted with double solenoid valves.

COVER FOR FITTING DIRECTIONAL CONTROL VALVE MODEL : LCC*DE

Unit Dimensions

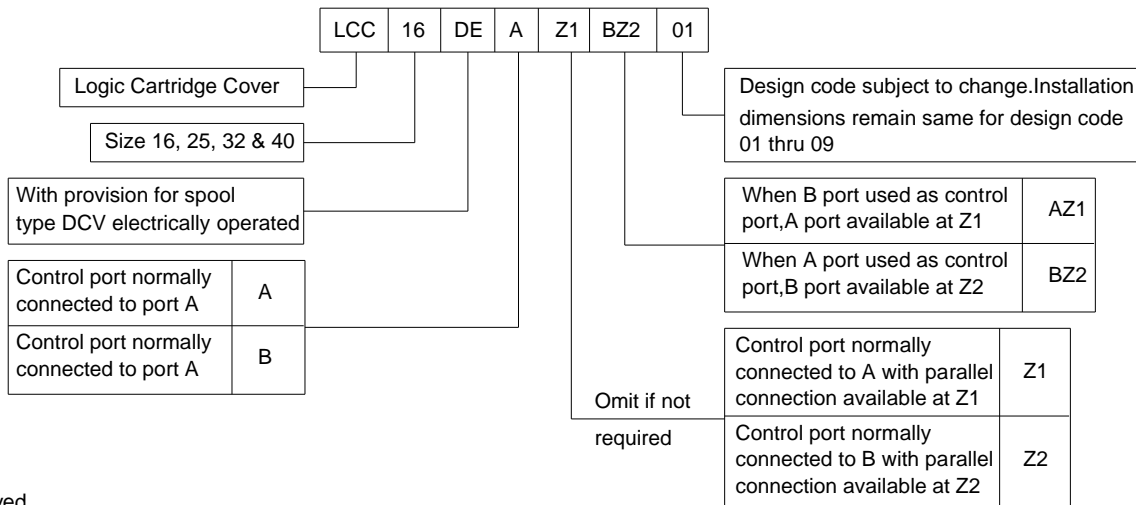
Dimensions in mm.



Size	16	25	32	40
L1	65	85	102	125
L2	37	48.5	56	69
L3	14.5	23.5	32	43.5
L4	80	85	102	125
L5	28	36.5	44	56
H1	50	40	50	60
H2	15	20	16	30
H3	12	18	24	30
H4	20	20	16	30
D	M6(0.8)	M6(0.8)	M6(1)	M8(1)
A/F1	6	6	6	6
A/F2	6	10	14	17

Size	Cover fixing S.H.C.screw 12.9	Tightening torque da Nm
16	M8x40 L	3.2
25	M12x45 L	11
32	M16x55 L	27
40	M20x70L	52

Ordering Code



All rights reserved
subject to revision.