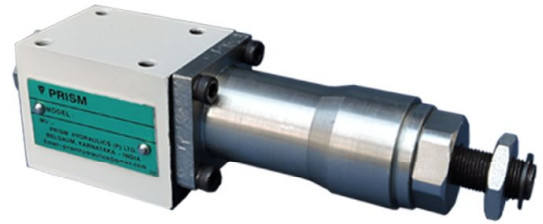


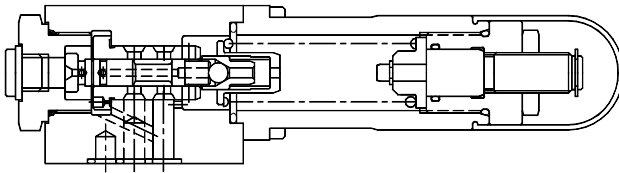
DIRECT OPERATED PRESSURE REDUCING VALVE MODEL : DMV

Description

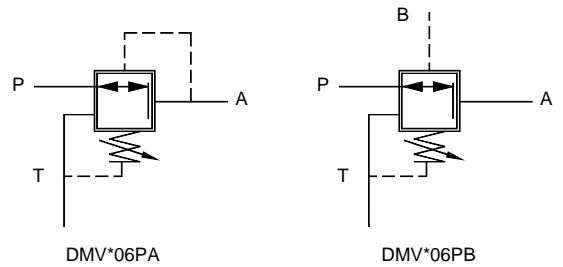
Direct operated spool type pressure reducing valve with control of pressure either secondary circuit or from a remote source.
Four pressure rating 25, 50, 100 & 200 bar with primary (system) pressure 315 bar.
For reverse free flow optional check valve can be supplied as a stackable model.



Section

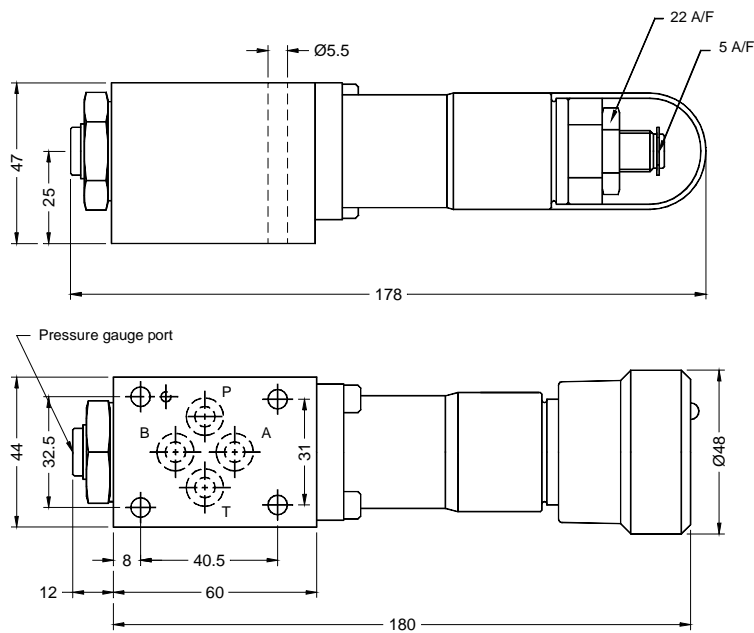


Hydraulic Symbol



Unit Dimensions

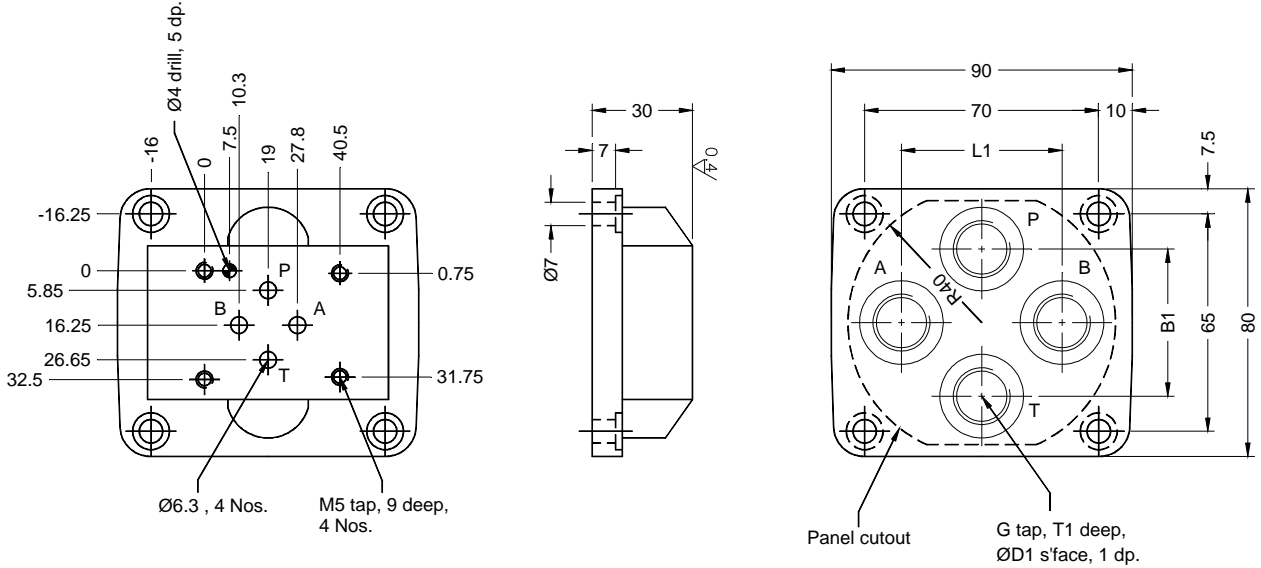
Dimensions in mm.



Tightening torque 6 Nm

DIRECT OPERATED PRESSURE REDUCING VALVE MODEL : DMV

Subplate



Subplate	B1	φ D1	G	L1	T1
CTP03G01	34	22	G1/4	36	12
CTP03G02	44	25	G3/8	48	12

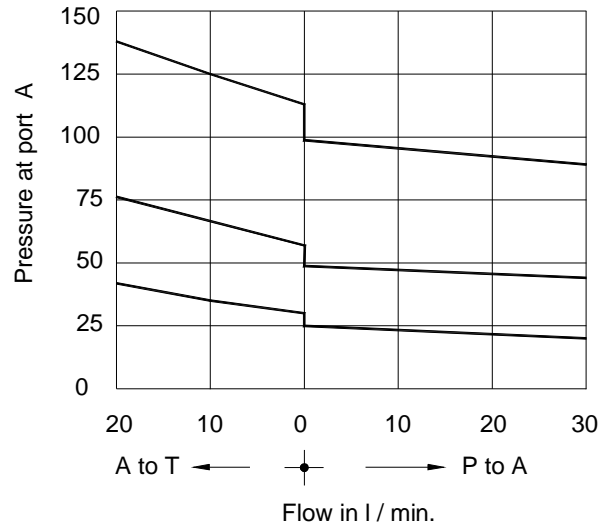
Technical Specifications

Construction	Direct operated spool type.
Mounting	As per ISO 6403
Mounting position	Optional
Flow direction	From port P to A
Operating pressure	For port P 315 bar. For port A & B 200 bar. For port T 60 bar max.
Hydraulic medium	Mineral oil.
Viscosity range	10 cSt to 380 cSt.
Fluid temperature range	-20 °c to +70 ° c
Fluid cleanliness requirement	AS per ISO 16 / 13
Maximum flow handling capacity	Refer performance curves.
Mass	1.54 kg.

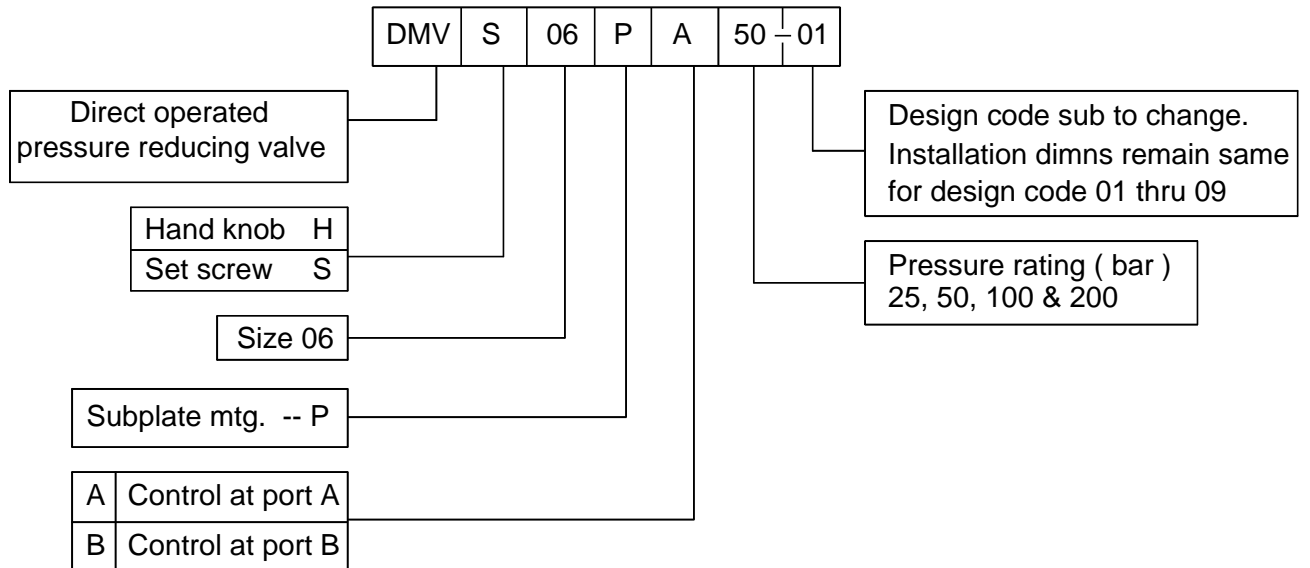
DIRECT OPERATED PRESSURE REDUCING VALVE MODEL : DMV

Performance Curve

Oil used : ISO VG68, Viscosity : 68 cSt @ 40°C Temp. @ test : 52 - 55°C



Ordering Code



All rights reserved
subject to revision.

PRISM HYDRAULICS PVT. LTD.
B-23 Angol Indl. Estate,
Udyambag,
Belgaum - 590 008. INDIA.

Phone :- +91-(0831)-2443448
Fax :- +91-(0831)-4202340
E-mail :- prismhydraulics@gmail.com