

## LEVER OPERATED DIRECTIONAL CONTROL VALVE MODEL : 4DL20

### Description

Completely encapsulated mechanism for protection against dirt.

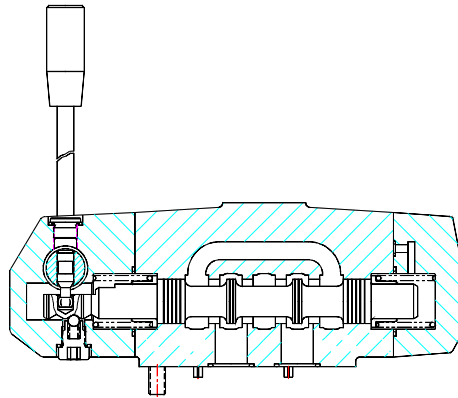
Available as spring centred, spring offset or detented model.

Internal or external drain available as an optional feature.

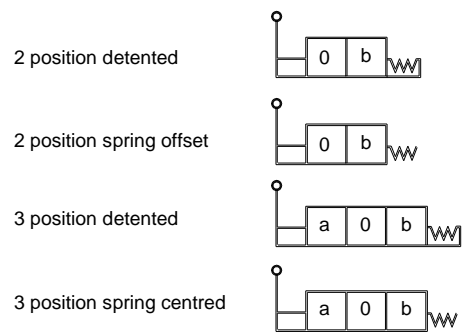
Valve mounting interface conforms to International and National standards.



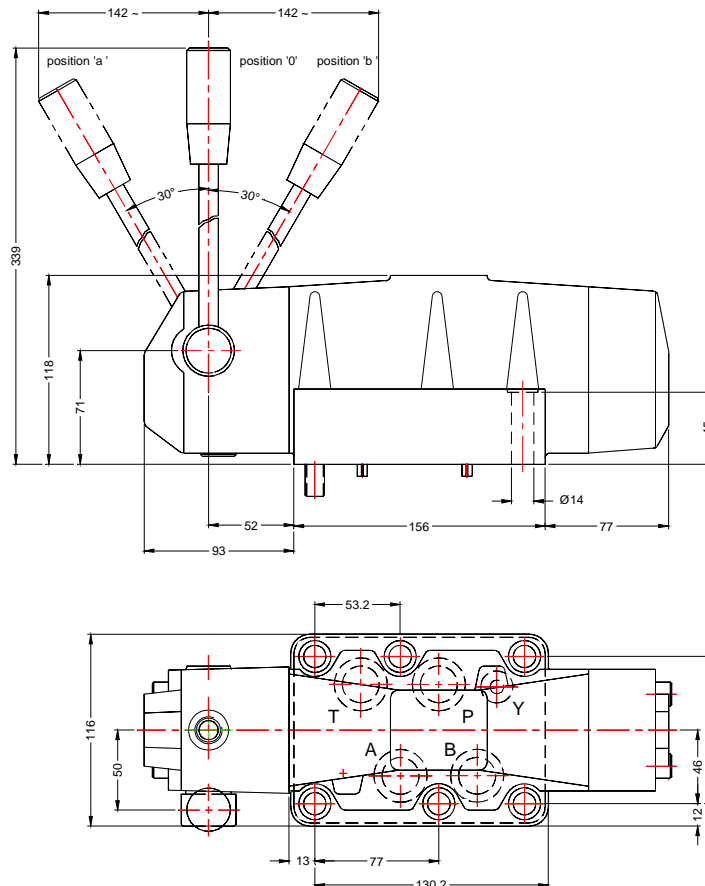
### Section



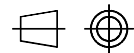
### Hydraulic Symbol



### Unit Dimensions

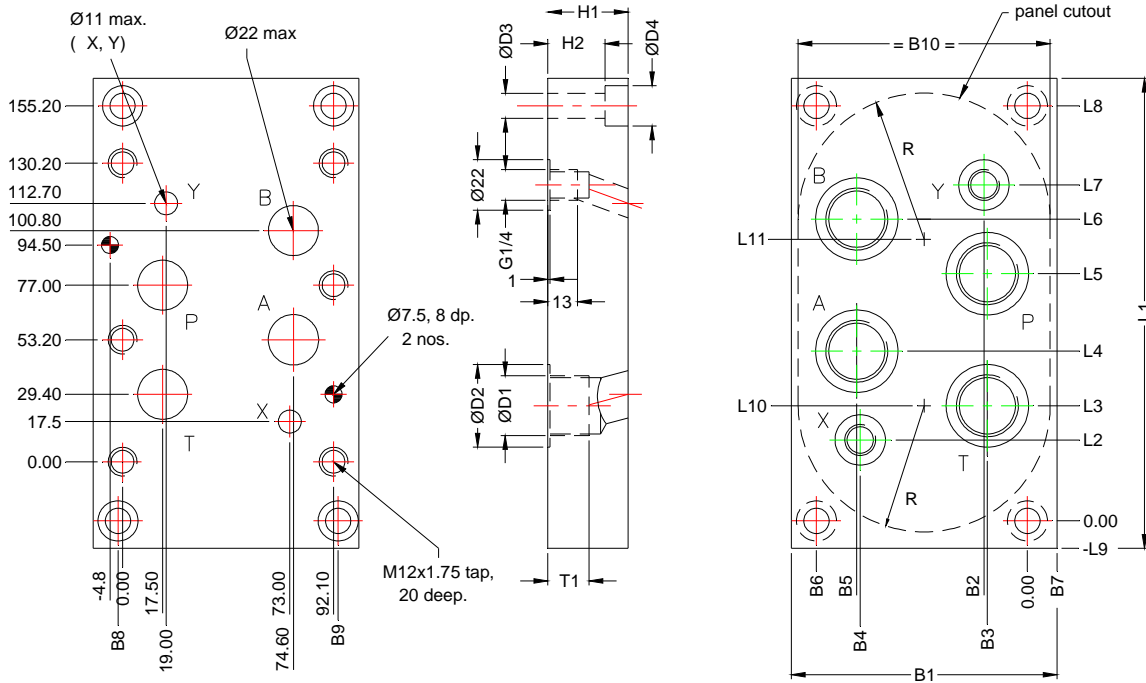


Dimensions in mm.



LEVER OPERATED DIRECTIONAL CONTROL VALVE MODEL : 4DL20

Subplate



Subplate type	D1	D2	T1	D3	D4	H1	H2	B1	B2	B3	B4	B5	B6	B7	B8	B9
CET07G04	G3/4	36	18	11	17.5	35	25	116	17.5	19	73	74.5	92.1	-12	0	92.1
CET07G05	G1	44	18	11	17.5	35	25	116	17.5	19	73	74.5	92.1	-12	0	92.1
CET07G06	G1-1/4	54	21	14		78	43	170	32	36	106	110	142	-14	-25	117

Subplate type	B10	L1	L2	L3	L4	L5	L6	L7	L8	L9	L10	L11	L12	R	Mass ( kg)
CET07G04	110	205	35.3	50.2	74	107.8	131.6	146.5	181	-12	50.2	131.6	-25.8	55	6
CET07G05	110	205	35.3	50.2	74	107.8	131.6	146.5	181	-12	50.2	131.6	-25.8	55	6
CET07G06	160	250	16.8	60.2	84	137.8	161.6	205	222	-14	50.2	119	-46	113	19

Note :- Valve fixing screws M12x1.75(12.9) x 65 L, 6 nos. Tightening torque 105 Nm

LEVER OPERATED DIRECTIONAL CONTROL VALVE MODEL : 4DL20

Technical Specifications

Construction .....	Spool type
Mounting .....	Subplate mounting as per ISO 4401-AE-08-4-A and IS-10187-20 mm diameter nominal port.
Mounting position .....	Optional
Flow direction .....	As per spool type.
Operating pressure .....	For port P, A and B ..... 350 bar For port T (with internal drain) .. 100 bar (with external drain) .. 250 bar. For port Y ..... 100 bar.
Hydraulic medium .....	Mineral oil
Viscosity range .....	10 cSt to 380 cSt
Fluid temperature range .....	-20 to +70
Fluid cleanliness requirement .....	As per ISO 16/13 or better.
Maximum flow handling capacity .....	Refer performance curves.
Mass .....	17.5 kg approx.

Performance Curves

Oil used :- ISO VG46, Viscosity : 46 cSt @ 40 °C, Temp @ test 50°C

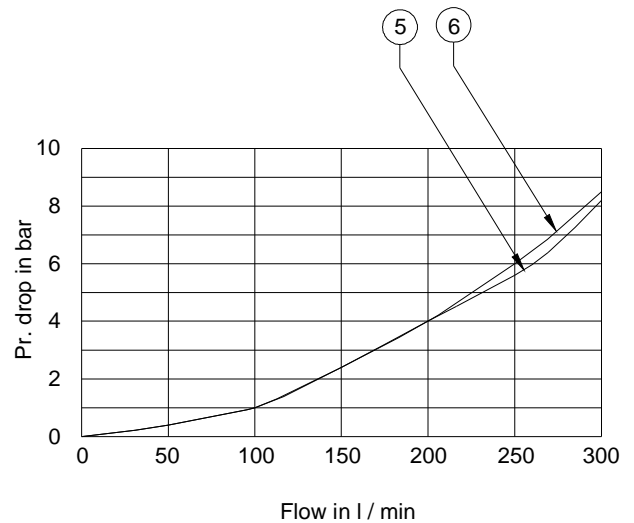
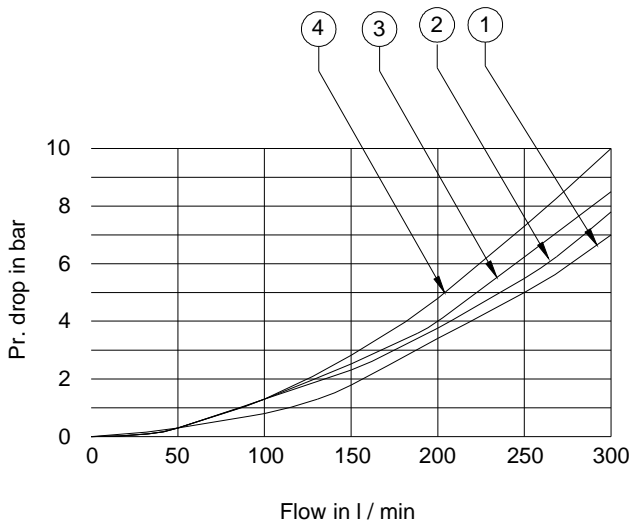
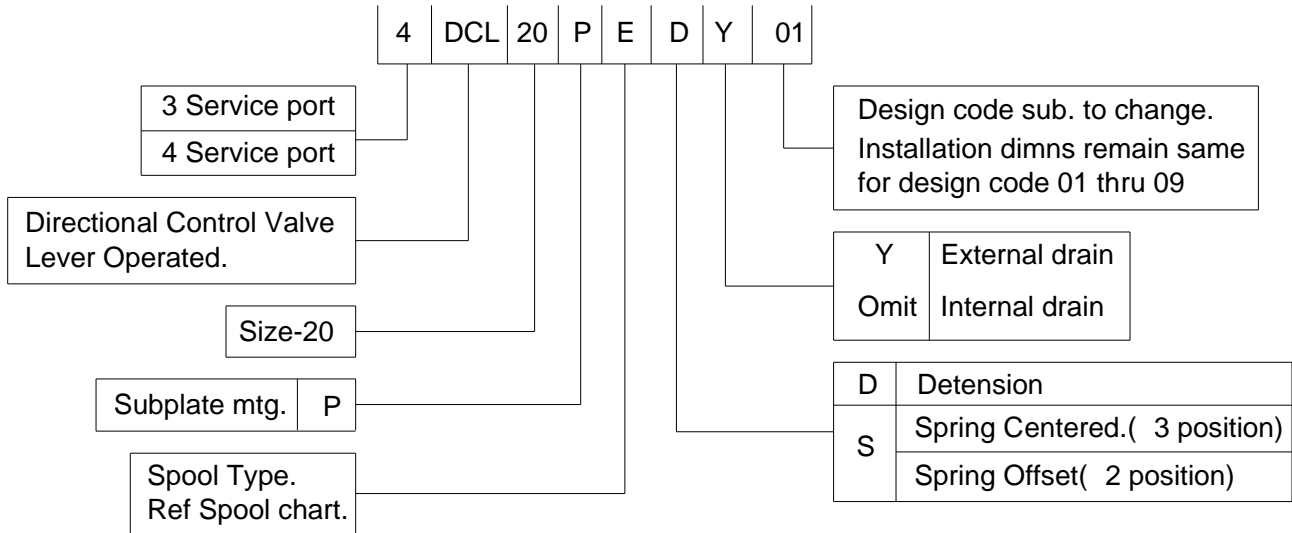


Table showing the relation between the spool type, direction of flow and the curve in the above graph to be referred to.

Direction of flow	P to T	P to A	P to B	A to T	B to T
Spool type	Curve no.				
E	-	2	2	2	2
F	-	1	1	1	2
G	3	6	6	5	4
H	-	-	-	1	1
J	-	2	2	1	1
L	-	2	2	1	2
P	-	1	1	2	1

## LEVER OPERATED DIRECTIONAL CONTROL VALVE MODEL : 4DL20

Ordering code



Type	Symbol	Cross over	Type	Symbol	Cross over
E			T		
F			A		
G			C		
H			D		
J					
M					
P					

Note :- Subplate to be ordered separately

All rights reserved  
subject to revision.

PRISM HYDRAULICS PVT. LTD.  
B-23 Angol Indl. Estate,  
Udyambag,  
Belgaum - 590 008. INDIA.

Phone :- +91-(0831)-2443448  
Fax :- +91-(0831)-4202340  
E-mail :- prismhydraulics@gmail.com